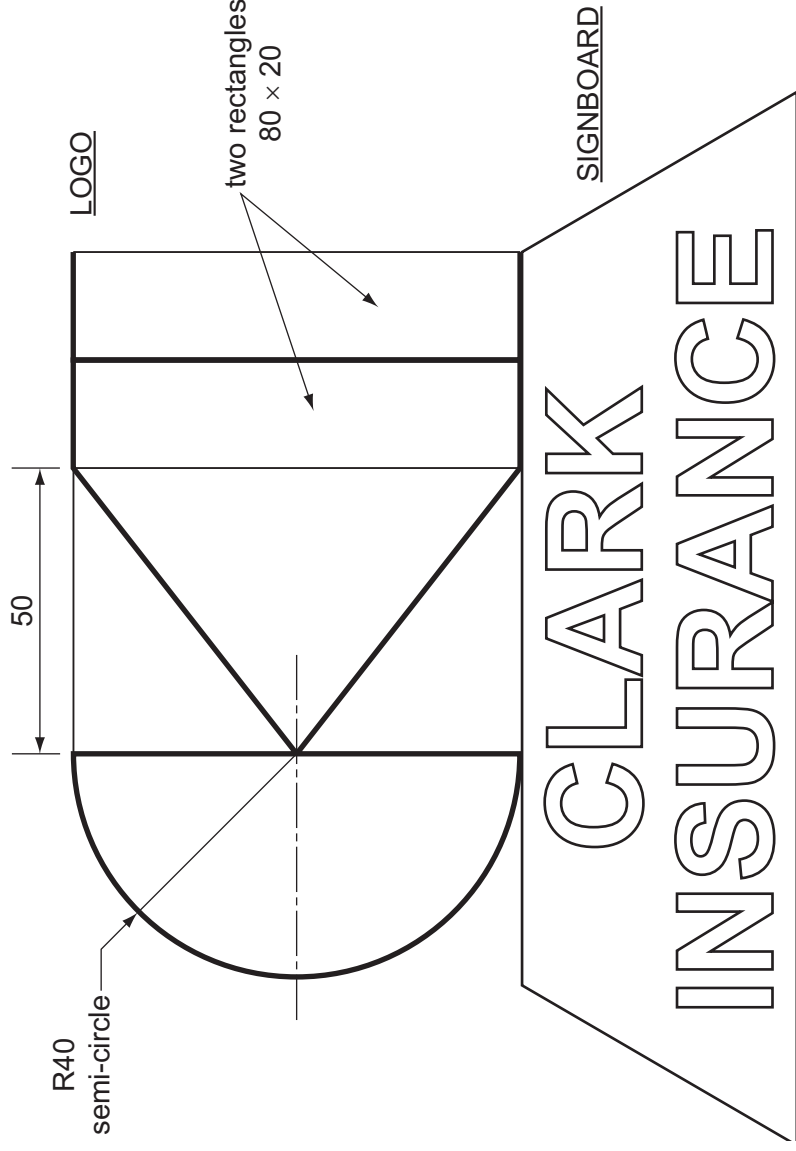


**Section A**

Answer **all** questions in this section.

A high-street insurance company is called 'CLARK INSURANCE'. The insurance company has a logo and signboard that is made up from geometrical shapes depicting the letters **C**, **K** and **I** of the name as shown in the drawing below.

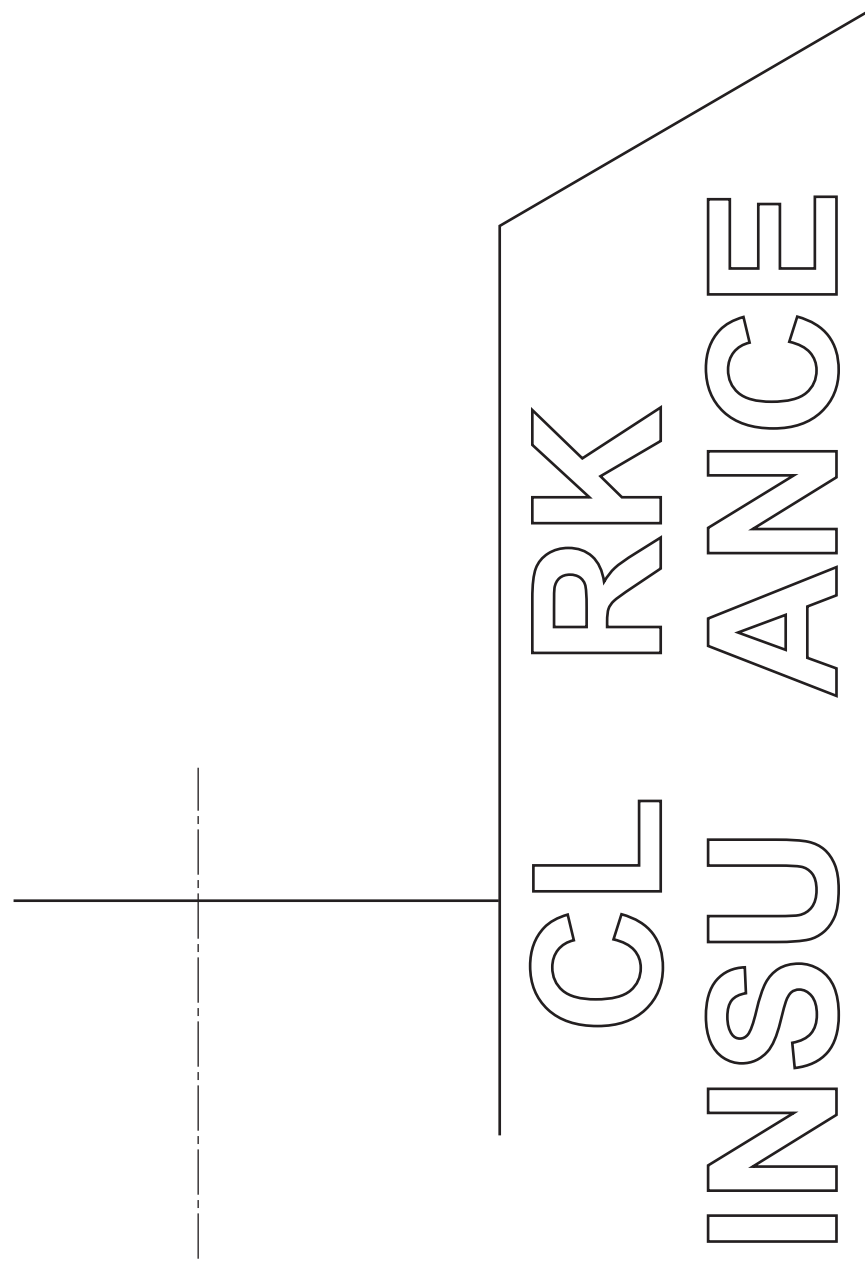


1 Complete the full-size view of the logo started on the right by drawing:

- (a) the semi-circle that represents the letter **C**; [2]
- (b) the triangle that completes the letter **K**; [2]
- (c) the two rectangles required to complete the letter **I**; [4]
- (d) thick lines to enhance the letters **C**, **K** and **I**. [1]

A2 (a) Complete the signboard for CLARK INSURANCE by adding the **two** missing letters. All the letters must be to the same height and style as those given. [4]

(b) Complete the quadrilateral border to the signboard so that the shape is symmetrical. [2]



0445/23 May/June 2013 1 hour  
© UCLES 2013

Centre Number .....

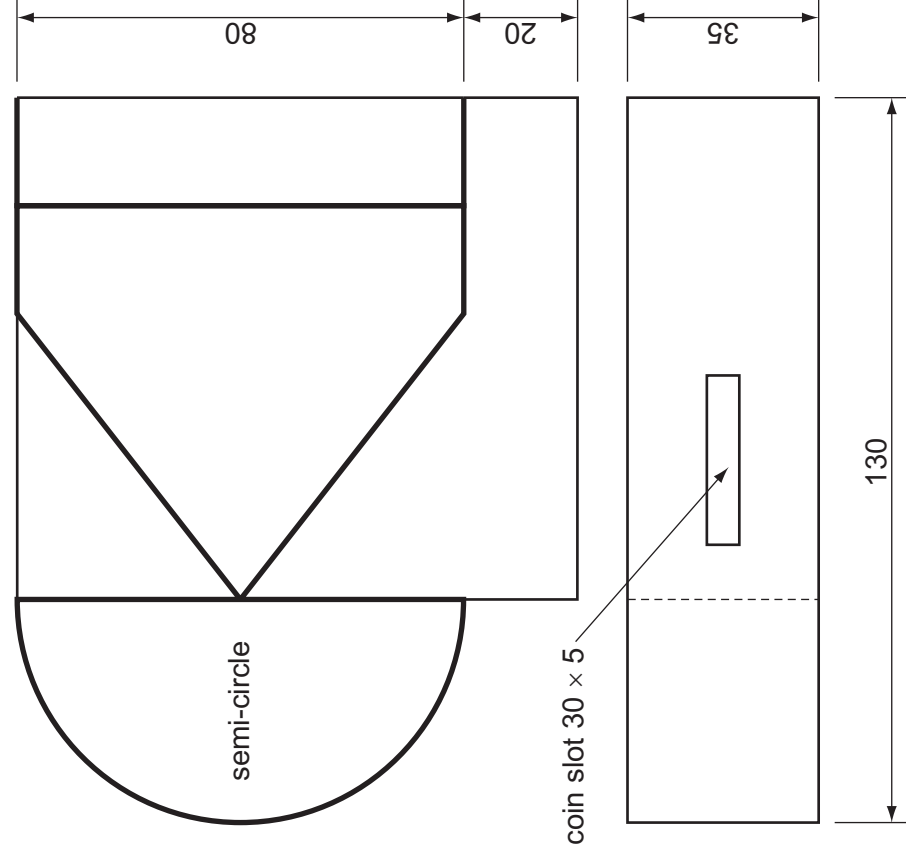
Candidate's Number .....

Candidate's Surname ..... Other Names ..... [Turn over]

For Examiner's use	

**A3** A charity collection box for customer use is shown in orthographic views below.

Lines are printed on the box to highlight the letters **K** and **I**.

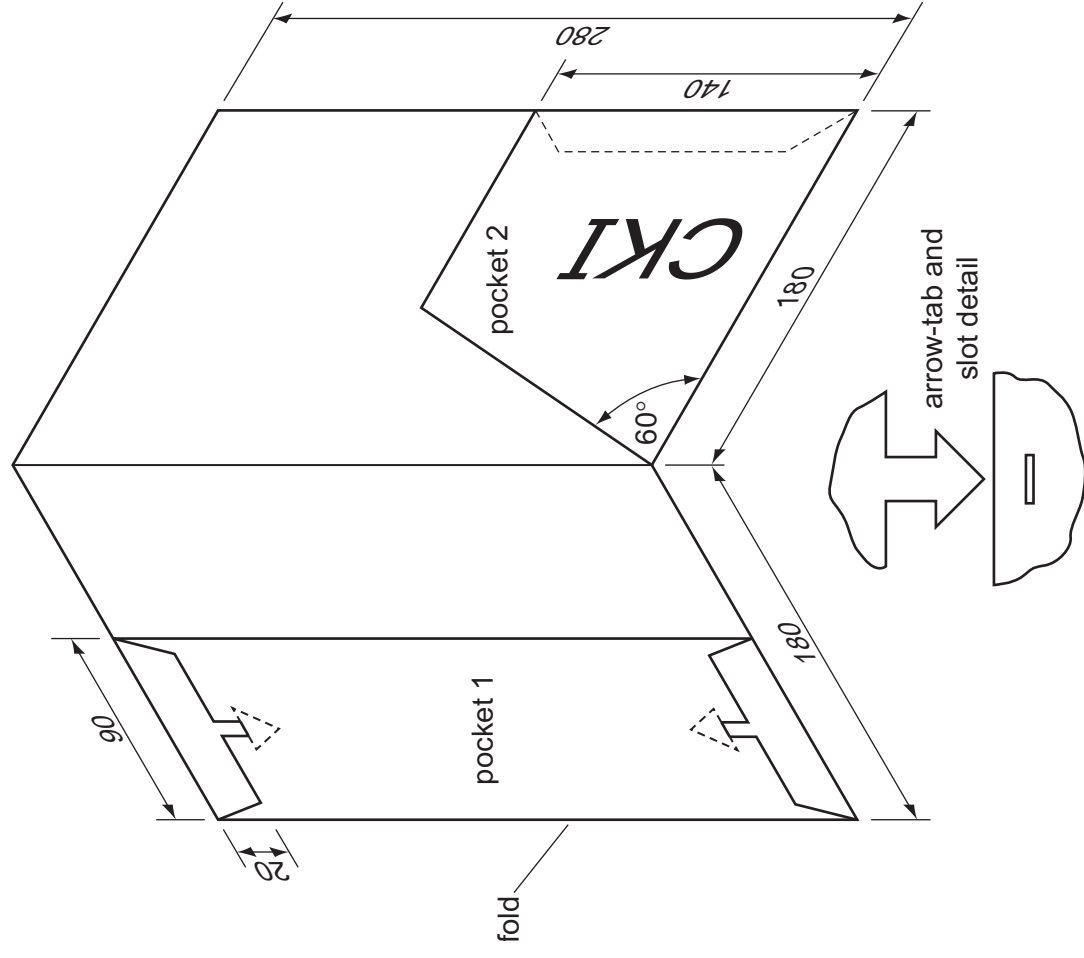


- (a) In the space to the right, draw a full-size isometric view of the collection box. [7]
- (b) Add to your isometric drawing the printed-on lines that highlight the letters **K** and **I**. [2]
- (c) Draw the  $30 \times 5$  coin slot on the correct face of your isometric collection box. [1]

**Section B**  
Answer either question B4 or B5.

**B4** The CLARK INSURANCE office uses a card folder for customers' documents. The folder is made from a one-piece development of thin card. The card is folded to provide two document pockets as shown in the drawing below.

The folder uses arrow-tabs and slots to form pocket 1. Pocket 2 is formed by the use of a glue tab.



- (a) In the space to the right, draw to a scale of 1:2 a one-piece development (net) of the folder including the glue tab for pocket 2. [13]
- (b) Add to your development two arrow-tabs and slots for pocket 1. [8]
- (c) Write the letters **C K I** in the correct orientation on the correct face of your development. [4]

**0445/23** May/June 2013 **1 hour**  
© UCLES 2013

Centre Number .....

Candidate's Number .....

Candidate's Surname .....

Other Names .....

[Turn over]

**B5** The CLARK INSURANCE company sells different types of insurance. The sales on one particular day are listed below.

<u>Type of insurance</u>	<u>Sales</u>
Car insurance	\$6000
Buildings insurance	\$3000
House contents insurance	\$4500
Personal insurance	\$1500
Travel insurance	\$2250
Pet insurance	\$ 750

(a) In the space below, draw and label a two-dimensional pie chart to show the sales of each type of insurance on this day. [7]

b) The table shows the number of customers who purchased insurance during one particular week in 2012.

(i) In the space below, draw a suitable two-dimensional bar chart to show the TOTAL number of customers each day over the five days of this week. [3]

Day of the week	Monday	Tuesday	Wednesday	Thursday	Friday
domestic customers	550	650	800	850	950
corporate customers	450	600	650	500	850
<b>TOTAL</b>	<b>1000</b>	<b>1250</b>	<b>1450</b>	<b>1350</b>	<b>1800</b>

(ii) In the space below, draw a three-dimensional bar chart to show the numbers of each type of customer over the five days of this week. [15]