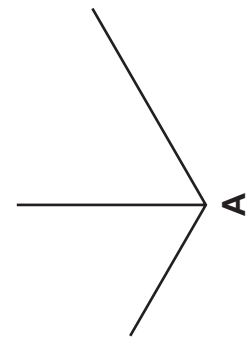
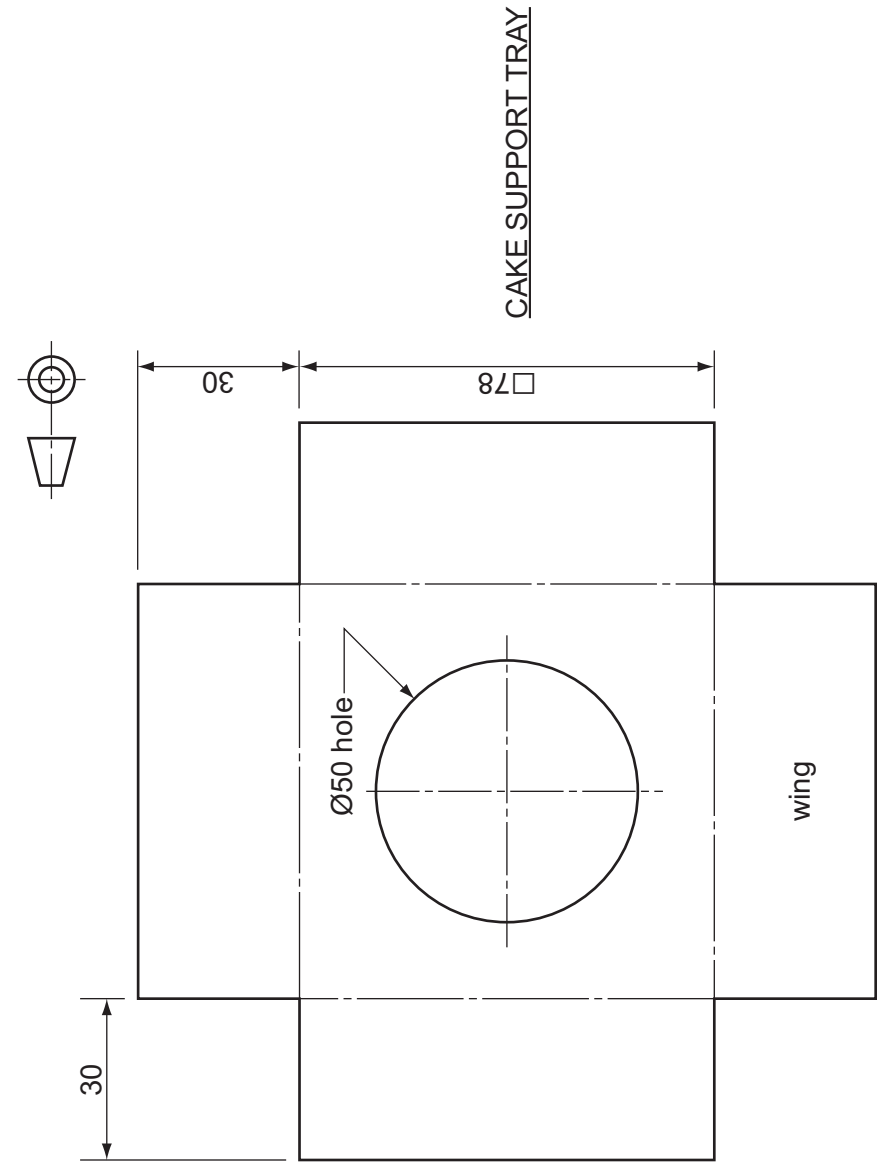
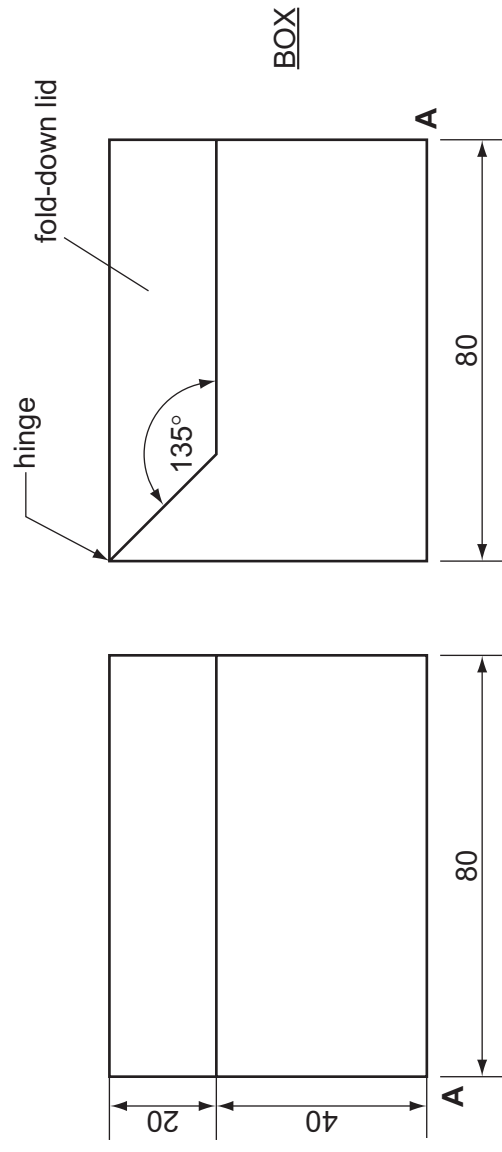


A3 A box and a cake support tray used to package a small circular cake are shown below.

The box and the cake support tray are made from thin card. The support tray fits inside the box when all four 'wings' are folded down. The $\text{\O}50$ hole supports the circular cake.

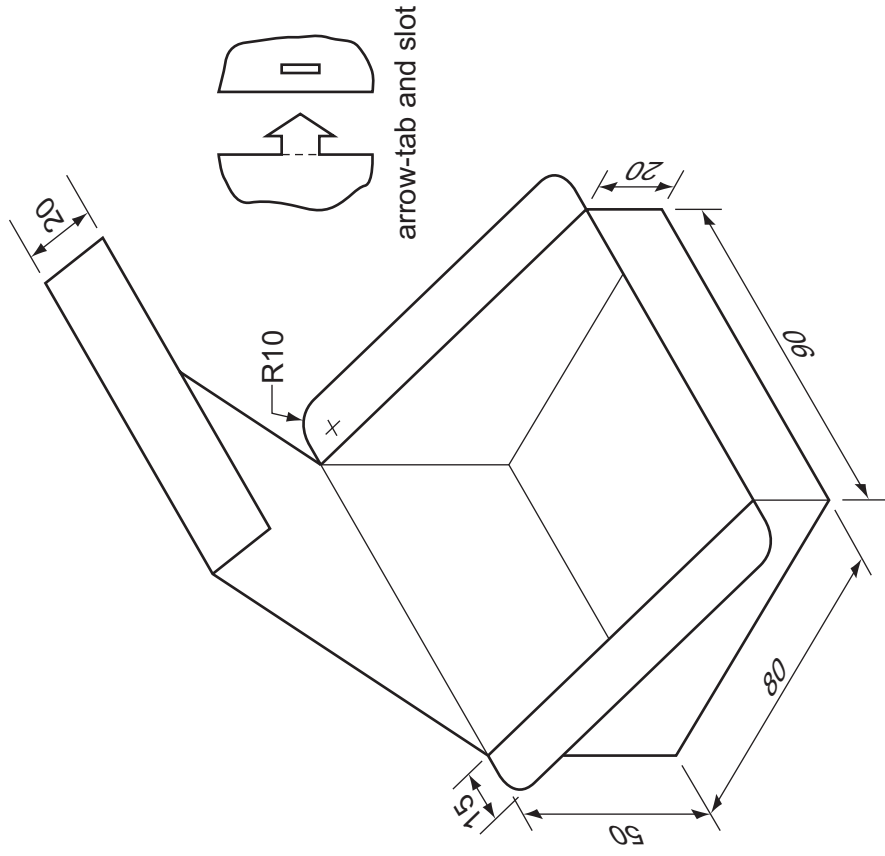


In the space to the right, draw a full-size isometric view of the cake box with the cake support tray in position. The lid is to be shown fully open in the vertical position. The starting point for corner **A** has been given for you. [10]

Section B
Answer either question **B4** or **B5**.

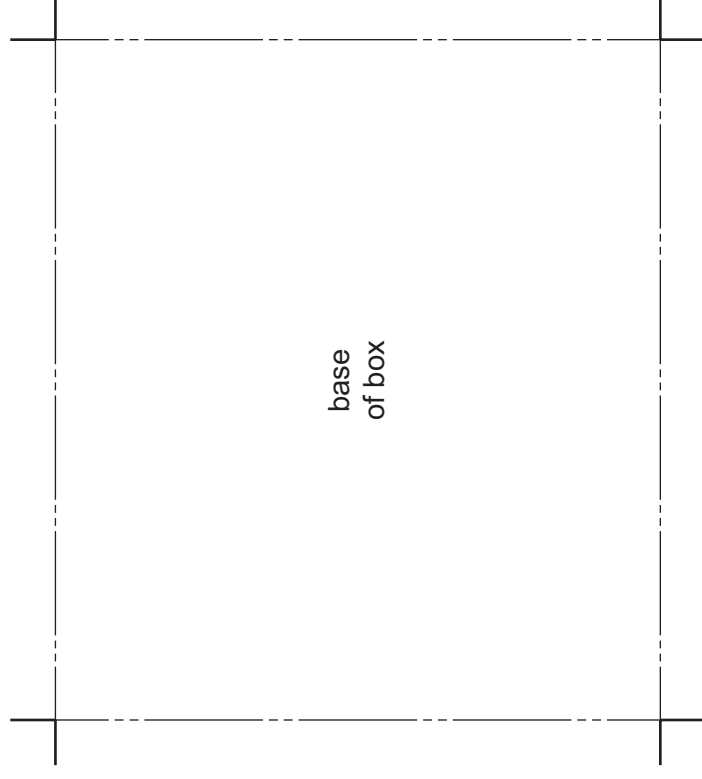
B4 The shop has a box for transporting one slice of cake.

The outline drawing below shows the box fully assembled.



The box uses arrow-tabs and slots to join the sides together.

- (a) In the space to the right, draw a full-size, one-piece development (net) of the box. [15]
The base of the box has been drawn for you.
- (b) Add to the development (net) sufficient arrow-tabs and slots to hold the sides together. [8]
- (c) In the space below, draw a method of holding the lid securely in place when it is folded to close the box. Glue and arrow-tabs are not to be used. [2]



0445/23
© UCLES 2013

Oct/Nov 2013

1 hour

Centre Number

Candidate's Number

Candidate's Surname

Other Names

[Turn over]

B5 (a) The quantities of bakery products sold in the shop on one day of the year in 2012 were as follows:

Baguette	90	Wholemeal loaf	45
Bread roll	60	White loaf	30
Croissant	120	Fruit tart	15

In the space to the right, draw a **two-dimensional** pie chart to show the distribution of each product as part of the total sales in the shop that day. [7]

(b) The seasonal sales for products sold in the shop in 2012 are shown in the table below.

Shop sales 2012			
	Spring	Summer	Autumn
White bread	750	850	800
Brown bread	550	600	550
Cakes	500	550	350
TOTAL	1800	2000	1700

(i) In the space below, draw a two-dimensional bar chart to show the sales of cakes over the spring, summer and autumn in 2012. [3]

(ii) In the space below, draw a **three-dimensional** bar chart to show the difference in sales of all three products in the spring and the summer of 2012. [15]