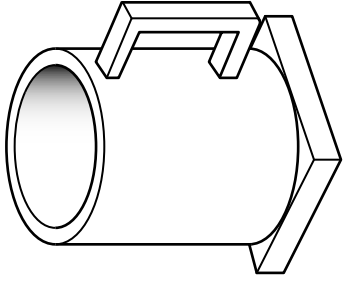


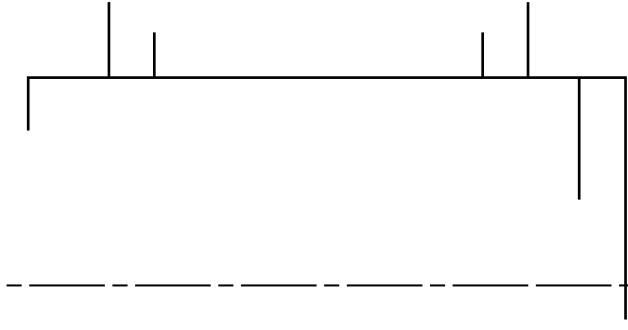
Section A
Answer all questions in this section.

A sketch of a coffee mug with a square base is shown on the right.

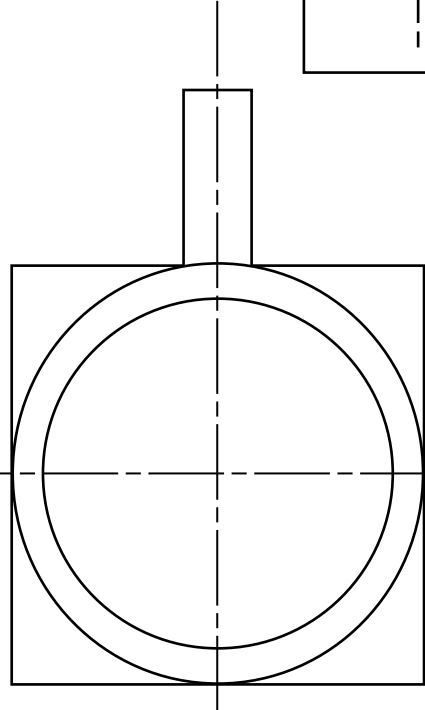


A1 (a) Complete the scale 1 : 2 orthographic views of the coffee mug by:

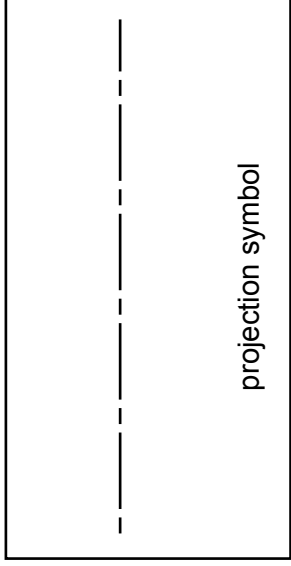
- (i) adding the missing lines to the side view; [5]
- (ii) adding one dimension to the plan; [2]
- (iii) adding the projection symbol in the given box. [3]



side view

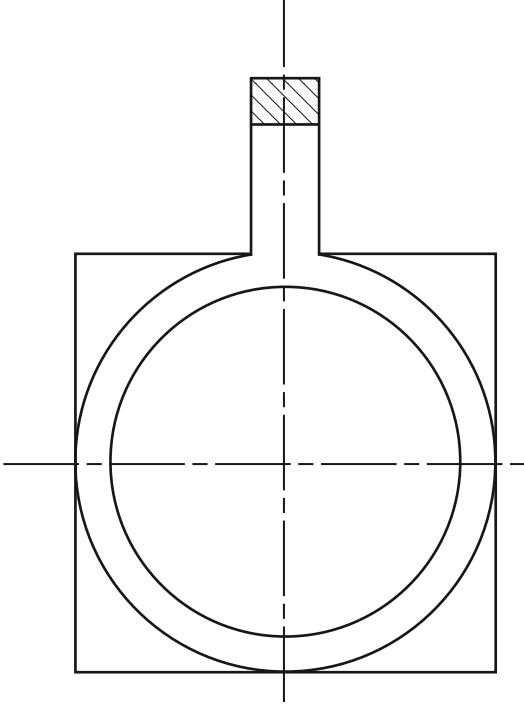


plan



A2 (a) Complete the sectional plan view of the coffee mug below.

[2]

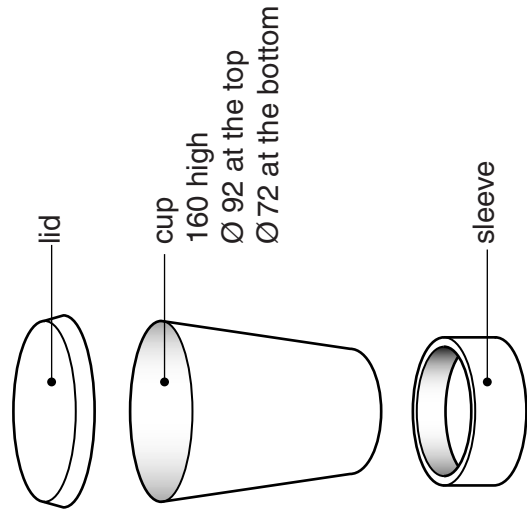


(b) A design is printed on the coffee mug in thermochromic ink. Describe how the thermochromic ink adds interest to the coffee mug.

-
-
-
-
-

[2]

A3 An exploded view of a take away coffee cup is shown below.



(a) In the space below draw a scale 1 : 2 planometric view of the cup.
Do not include the lid or sleeve.

[4]



(b) The lid of the coffee cup is vacuum formed. Describe **three** main steps in the process of vacuum forming.

.....

.....

.....

.....

.....

.....

.....

.....

.....

.....

..... [3]

(c) The sleeve is made from corrugated card.

(i) In the space below draw a sectional view of corrugated card. [2]

(ii) Explain why corrugated card is used for the sleeve.

.....

.....

.....

.....

..... [2]

