



UNIVERSITY OF CAMBRIDGE INTERNATIONAL EXAMINATIONS
International General Certificate of Secondary Education

www.PapaCambridge.com

GEOGRAPHY

0460/43

Paper 4 Alternative to Coursework

May/June 2012

INSERT

1 hour 30 minutes

READ THESE INSTRUCTIONS FIRST

This Insert contains Fig. 2 for Question 1 and Figs 5 and 6 for Question 2.

The Insert is **not** required by the Examiner.

This document consists of **3** printed pages and **1** blank page.



Fig. 2 for Question 1

Measuring equipment

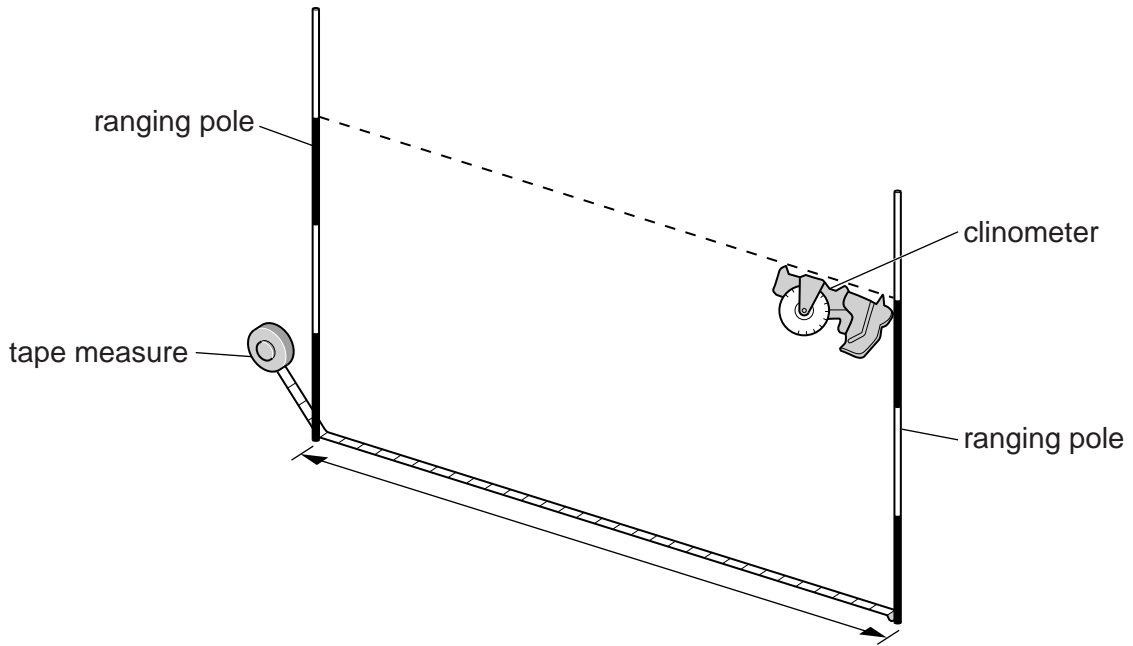


Fig. 5 for Question 2

Textbook model of land use

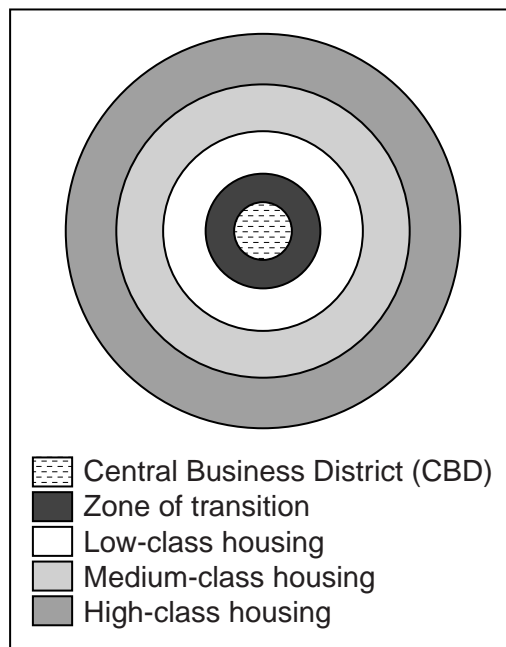
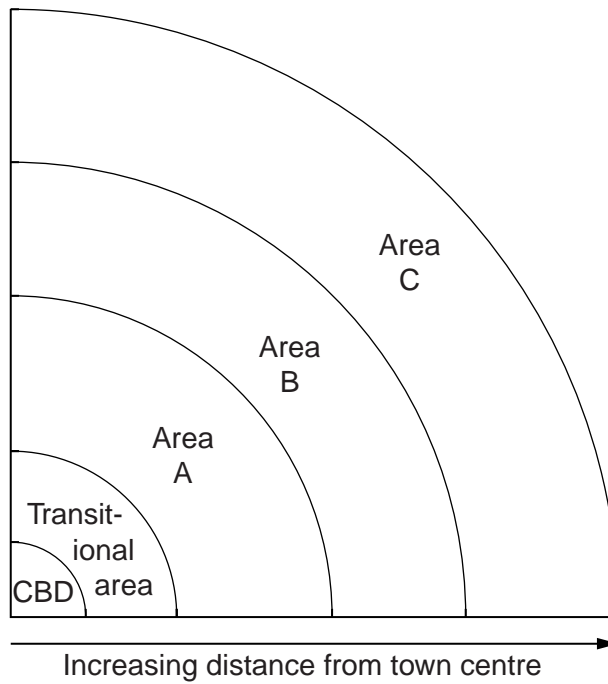


Fig. 6 for Question 2

**Different housing areas
used in the survey****Key**

- Area A: terraced houses built around 1900
- Area B: semi-detached houses built in the 1930s
- Area C: detached houses built since 2000

