

Centre Number	Candidate Number	Name
---------------	------------------	------

UNIVERSITY OF CAMBRIDGE INTERNATIONAL EXAMINATIONS
International General Certificate of Secondary Education

PHYSICAL SCIENCE

0652/02

Paper 2

October/November 2004

1 hour 15 minutes

Candidates answer on the Question Paper.
No Additional Materials are required.

READ THESE INSTRUCTIONS FIRST

Write your Centre number, candidate number and name on all the work you hand in.
Write in dark blue or black pen in the spaces provided on the Question Paper.
You may use a soft pencil for any diagrams, graphs, tables or rough working.
Do not use staples, paper clips, highlighters, glue or correction fluid.

Answer **all** questions.
The number of marks is given in brackets [] at the end of each question or part question.
A copy of the Periodic Table is printed on page 12.

For Examiner's Use	
1	
2	
3	
4	
5	
6	
7	
8	
9	
10	
11	
12	
13	
14	
15	
Total	

If you have been given a label, look at the details. If any details are incorrect or missing, please fill in your correct details in the space given at the top of this page.

Stick your personal label here, if provided.

- 1 Fig. 1.1 shows a current carrying coil in a magnetic field. There is a force of 5.0 N on each side of the coil acting as shown.

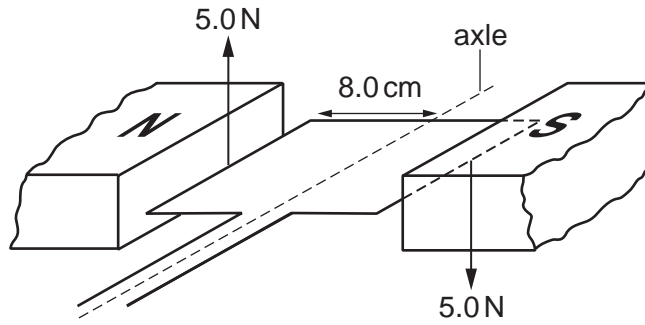


Fig. 1.1

- (a) (i) Calculate the moment about the axle produced by the force on the right hand side of the coil. Show your working and state the unit.

moment =

- (ii) Write down the moment about the axle produced by the force on the left hand side of the coil.

.....

- (iii) Calculate the total moment on the axle.

moment = [5]

- (b) (i) State the effect on the total moment about the axle of increasing the current in the coil.

.....

- (ii) State the effect on the total moment about the axle of decreasing the number of turns of wire in the coil.

.....[2]

- (c) Name a device or a piece of apparatus which relies on the turning effect on a coil in a magnetic field.

.....[1]

2 Using a microscope, the small drops of fat in milk can be seen moving about slowly in a random way.

(a) Name this type of movement. [1]

(b) Use words from the list below to complete the sentences describing this type of movement. You may use each word once, more than once or not at all.

collide combine electrons larger molecules smaller

The of water are moving about quickly. They with the drops of fat. The drops of fat move slowly because they are much than the of water.

[4]

3 Fig. 3.1 shows a hot water system for a house.

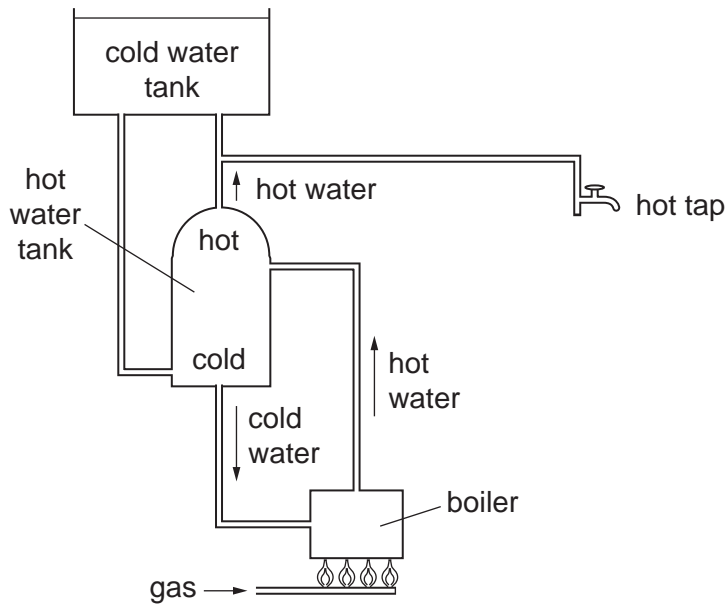


Fig. 3.1

(a) (i) Name the main process by which hot water rises from the boiler to the hot water tank.

.....

(ii) Explain why this process occurs.

.....

.....[3]

(b) (i) Name the main process by which the energy is transferred through the boiler wall to the water.

.....

(ii) Complete the sentences below, which describe the energy changes as the gas is burnt.

When the gas is burnt energy of the gas is converted into

..... energy which raises the temperature of the water. The combustion

process is an change. [4]

(c) Energy is lost from the hot water tank causing the water to cool. Suggest a way in which this loss could be minimised.

.....[1]

- 4 A student uses paper chromatography to investigate three substances, X, Y and Z.

The result of her experiment in Fig. 4.1 shows three components, P, Q and R.

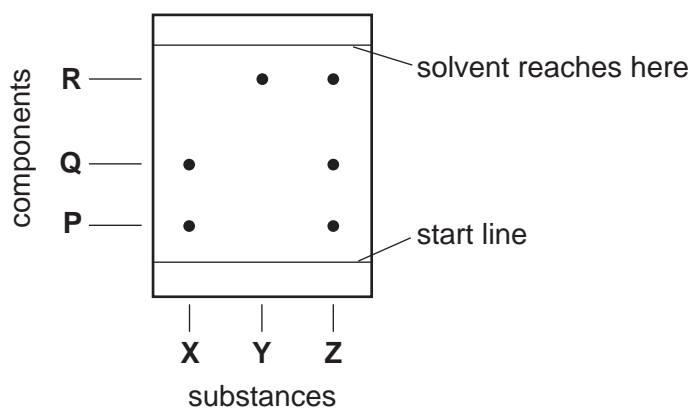


Fig. 4.1

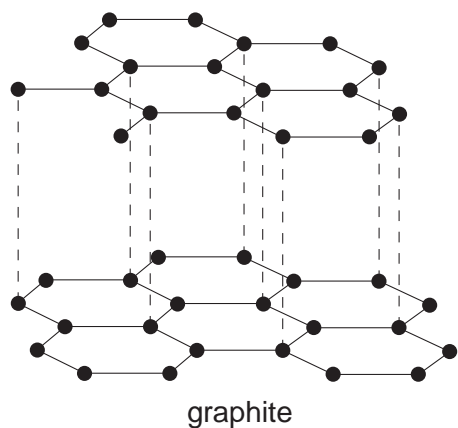
- (a) State and explain which substance is a mixture of the other two.

.....
[2]

- (b) State and explain which component is most soluble in the solvent.

.....
[2]

5



6

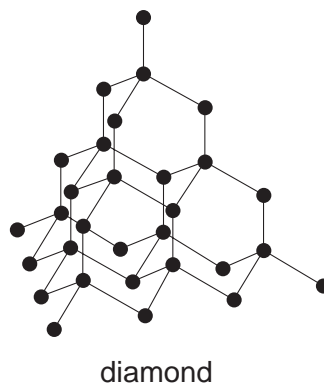


Fig. 5.1

Use the information in Fig. 5.1 to describe the structures of

(i) graphite,

.....
.....
.....[2]

(ii) diamond.

.....
.....
.....[2]

6 (a) (i) Describe how a potassium atom, K, forms a potassium ion.

.....
.....[1]

(ii) Describe how an iodine atom, I, forms an iodide ion.

.....
.....[1]

(b) Hence describe how potassium iodide is formed from potassium and iodine.

.....

- 7 Fig. 7.1 shows a circuit being used to light two identical bulbs.

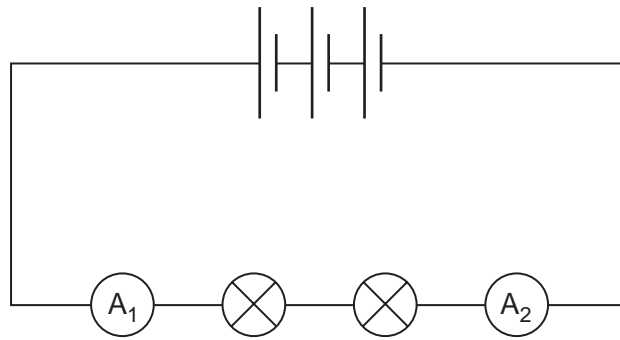


Fig. 7.1

Ammeter A_1 reads 0.75 A and the potential difference across the **two** bulbs is 4.5 V.

- (a) (i) What is the reading on ammeter A_2 ? A
 (ii) Calculate the total resistance in the circuit. Show your working and state the unit.

resistance =

- (iii) What is the resistance of one bulb?

resistance = [5]

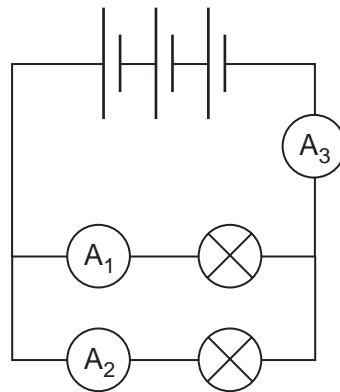


Fig. 7.2

Fig. 7.2 shows another circuit which could be used to light the two bulbs.

Both ammeter A_1 and ammeter A_2 read 1.5 A.

- (b) What would ammeter A_3 read? A [1]

- (c) Explain whether the bulbs would be brighter in the circuit in Fig. 7.1 or Fig. 7.2.

.....

8 A saturated hydrocarbon gas is given off from decaying rubbish.

(a) One molecule of this hydrocarbon contains one carbon atom and four hydrogen atoms.

(i) Write the molecular formula of this hydrocarbon. [1]

(ii) Use the information in the Periodic Table on page 12 to calculate the relative molecular mass, M_r , of this hydrocarbon.

$M_r = \dots\dots\dots$ [1]

(b) This gas burns completely in air to form carbon dioxide and water.

hydrocarbon gas + oxygen \rightarrow carbon dioxide + water

Construct a balanced chemical equation for this reaction.

.....[2]

9 (a) Copper oxide heated in hydrogen forms copper and water.

Use this example to explain the meaning of *reduction*.

.....
.....[2]

(b) State two properties of copper that show this metal is a **transition** element.

1

2 [2]

10 A student prepares magnesium sulphate by adding pieces of magnesium to dilute sulphuric acid until there is excess magnesium and the reaction stops.

(a) Describe how the student can obtain crystals of magnesium sulphate from the mixture of aqueous magnesium sulphate and excess magnesium.

.....
.....
.....[2]

(b) Hydrogen is also produced in the first experiment.

Describe a test to identify this gas.

test

result [2]

11 Fig. 11.1 shows a beam of light being shone on a pond.

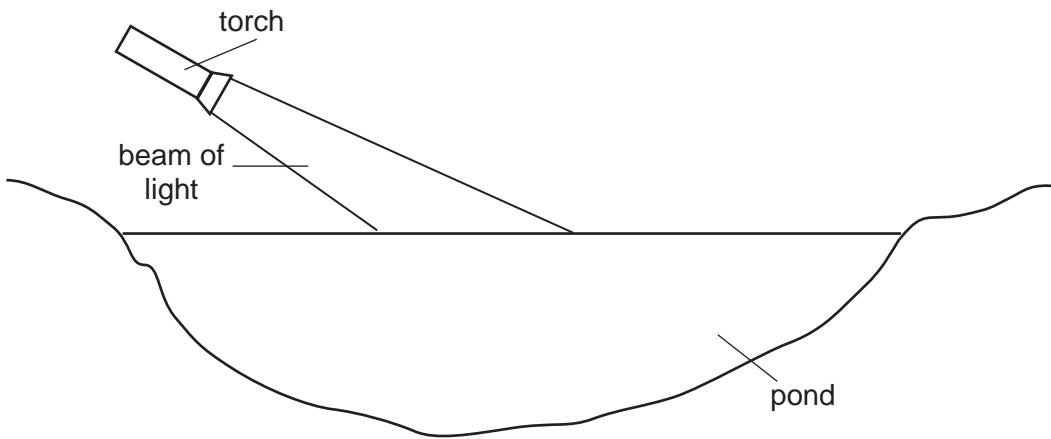


Fig. 11.1

- (a) (i) Complete the two rays, which mark the edges of the beam of light, to show the path of the beam after it enters the water.
- (ii) For one of the rays, mark the angle of incidence and label it *i*.
- (iii) Name the effect that this experiment demonstrates.

.....

[4]

Fig. 11.2 shows the front of a police car.



Fig. 11.2

- (b) Explain, using appropriate scientific terms, why the car has the mirror writing on the front.

.....

[2]

12 (a) A student adds aqueous bromine to a colourless solution of potassium iodide. The solution changes colour, showing a reaction has occurred.

(i) State the product of this reaction that causes the change of colour.

..... [1]

(ii) In terms of the reactivity of the halogens, explain why there is a reaction in this experiment.

.....
.....[1]

(b) Another student adds aqueous bromine to a colourless solution of potassium chloride. There is no reaction.

In terms of the reactivity of the halogens, explain why there is no reaction in this experiment.

.....
.....[1]

13 State and explain the purpose of the two main steps in the purification of the water supply for domestic purposes.

step 1

.....
.....[2]

step 2

.....
.....[2]

14 (a) Draw the structures of ethane, C₂H₆, and ethene, C₂H₄. Show all the atoms and bonds.

ethane

ethene

[2]

(b) Explain why alkenes, such as ethene, do react with steam whereas alkanes, such as ethane, do not react with steam.

.....
.....[2]

15 The isotope ⁹⁰₃₈Sr is a radioactive isotope which emits β-particles.

(a) (i) Explain what is meant by the term *isotope*.

.....
.....[2]

(ii) Explain what a β-particle is.

.....
.....[2]

(b) (i) Complete the table in Fig. 15.1 which describes the make up of a neutral atom of ⁹⁰₃₈Sr.

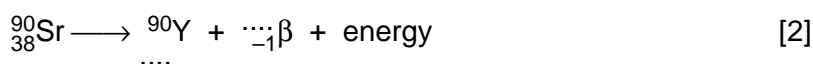
Number of protons	
Number of neutrons	
Number of electrons	

Fig. 15.1

(ii) Which type of particle, listed in Fig. 15.1, is **not** found in the nucleus of an atom?

..... [4]

(c) Complete the equation below which describes the decay of ⁹⁰₃₈Sr.



DATA SHEET
The Periodic Table of the Elements

		Group											
I	II	III	IV	V	VI	VII	0						
7 Li Lithium 4	9 Be Beryllium 4	1 H Hydrogen 1										4 He Helium 2	
23 Na Sodium 12	24 Mg Magnesium 12	11 B Boron 5	12 C Carbon 6	14 N Nitrogen 7	16 O Oxygen 8	19 F Fluorine 9	20 Ne Neon 10	27 Al Aluminium 13	28 Si Silicon 14	31 P Phosphorus 15	32 S Sulphur 16	35.5 Cl Chlorine 17	40 Ar Argon 18
39 K Potassium 20	40 Ca Calcium 20	55 Mn Manganese 25	52 Cr Chromium 24	59 Co Cobalt 27	59 Co Cobalt 27	59 Co Cobalt 27	64 Cu Copper 29	65 Zn Zinc 30	70 Ga Gallium 31	73 Ge Germanium 32	75 As Arsenic 33	79 Se Selenium 34	84 Kr Krypton 36
85 Rb Rubidium 38	88 Sr Strontium 38	89 Y Yttrium 39	91 Zr Zirconium 40	101 Ru Ruthenium 44	103 Rh Rhodium 45	106 Pd Palladium 46	108 Ag Silver 47	112 Cd Cadmium 48	115 In Indium 49	119 Sn Tin 50	122 Sb Antimony 51	128 Te Tellurium 52	131 Xe Xenon 54
133 Cs Caesium 56	137 Ba Barium 56	139 La Lanthanum 57	178 Hf Hafnium 72	190 Os Osmium 76	192 Ir Iridium 77	195 Pt Platinum 78	197 Au Gold 79	201 Hg Mercury 80	204 Tl Thallium 81	207 Pb Lead 82	209 Bi Bismuth 83	210 Po Polonium 84	222 Rn Radon 86
226 Ra Radium 88	227 Ac Actinium 89											227 Fr Francium 88	

140 Ce Cerium 58	141 Pr Praseodymium 59	144 Nd Neodymium 60	150 Sm Samarium 62	152 Eu Europium 63	157 Gd Gadolinium 64	162 Dy Dysprosium 66	165 Ho Holmium 67	167 Er Erbium 68	169 Tm Thulium 69	173 Yb Ytterbium 70	175 Lu Lutetium 71		
232 Th Thorium 90	238 Pa Protactinium 91	238 U Uranium 92	238 Np Neptunium 93	238 Pu Plutonium 94	238 Am Americium 95	238 Cm Curium 96	238 Bk Berkelium 97	238 Cf Californium 98	238 Es Einsteinium 99	238 Fm Fermium 100	238 Md Mendelevium 101	238 No Nobelium 102	238 Lr Lawrencium 103

3-71 Lanthanoid series
0-103 Actinoid series

a = relative atomic mass
X = atomic symbol
b = proton (atomic) number

The volume of one mole of any gas is 24 dm³ at room temperature and pressure (r.t.p.).