



CO-ORDINATED SCIENCES

0654/11

Paper 1 Multiple Choice

October/November 2015

45 minutes

Additional Materials: Multiple Choice Answer Sheet
Soft clean eraser
Soft pencil (type B or HB is recommended)



READ THESE INSTRUCTIONS FIRST

Write in soft pencil.

Do not use staples, paper clips, glue or correction fluid.

Write your name, Centre number and candidate number on the Answer Sheet in the spaces provided unless this has been done for you.

DO NOT WRITE IN ANY BARCODES.

There are **forty** questions on this paper. Answer **all** questions. For each question there are four possible answers **A, B, C** and **D**.

Choose the **one** you consider correct and record your choice in **soft pencil** on the separate Answer Sheet.

Read the instructions on the Answer Sheet very carefully.

Each correct answer will score one mark. A mark will not be deducted for a wrong answer.

Any rough working should be done in this booklet.

A copy of the Periodic Table is printed on page 20.

Electronic calculators may be used.

This document consists of **17** printed pages and **3** blank pages.

1 The following three equations represent metabolic processes.

- 1 glucose \rightarrow glycogen
- 2 carbon dioxide + water \rightarrow glucose + oxygen
- 3 oxygen + glucose \rightarrow carbon dioxide + water

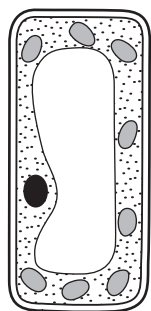
Which equations represent nutrition and respiration?

	nutrition	respiration
A	1	2
B	2	3
C	3	1
D	3	2

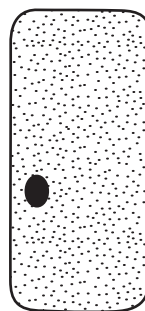
2 What is correct for **all** living organisms?

- A** They are sensitive to changes in their environment.
- B** They excrete solid waste from their bodies.
- C** They feed on other living organisms.
- D** They grow larger by increasing their cell number.

3 The diagram shows a plant cell and an animal cell. The two cells are **not** drawn to the same scale.



magnification
 $\times 1000$



magnification
 $\times 2000$

The actual height of the animal cell is 0.02 mm.

What is the height of the plant cell?

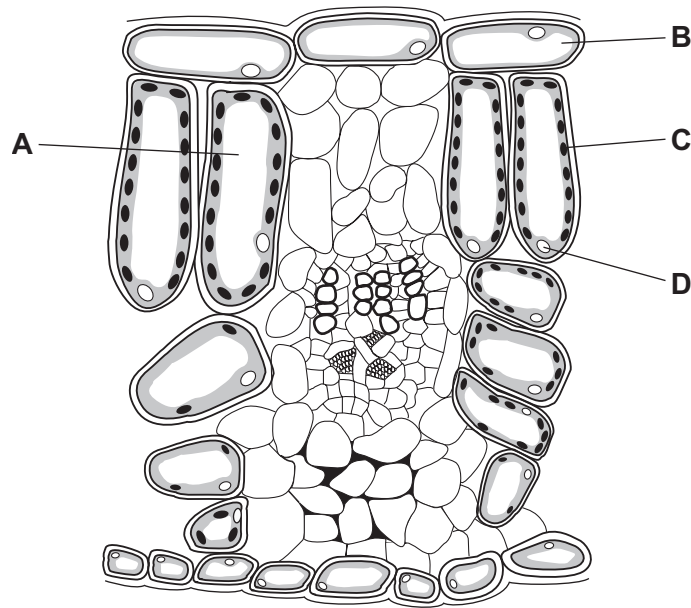
- A** 0.01 mm **B** 0.02 mm **C** 0.04 mm **D** 40 mm

4 What would be capable of digesting an enzyme?

- A amylase
- B bile
- C lipase
- D protease

5 The diagram shows a section through a leaf.

Where are carbohydrates made?

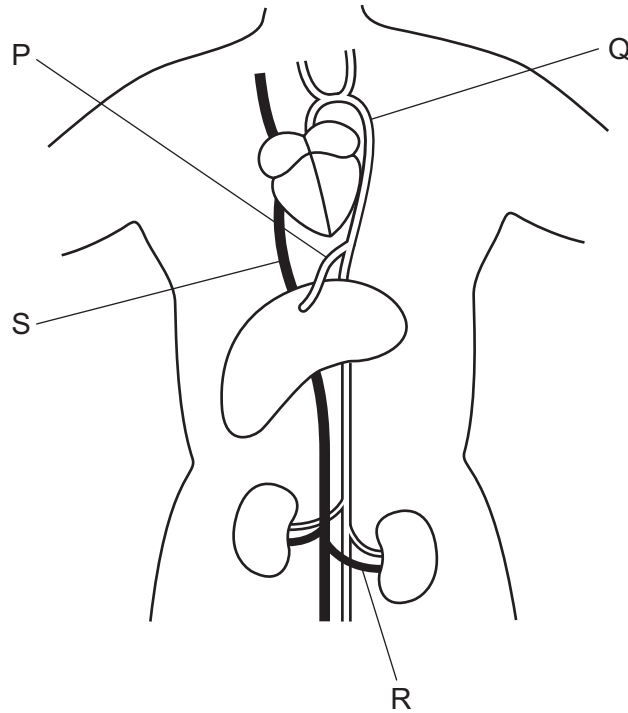


6 Nutrient molecules are made up from smaller molecules. Nutrients can be identified by food tests.

Which row correctly describes a protein?

	smaller molecules	test which gives a positive result
A	amino acids	Benedict's test
B	amino acids	biuret test
C	sugars	Benedict's test
D	sugars	biuret test

7 The diagram shows the heart, liver and kidneys with connecting blood vessels.



What are the labelled blood vessels?

	aorta	hepatic artery	vena cava	renal vein
A	Q	P	S	R
B	Q	R	S	P
C	S	P	Q	R
D	S	R	Q	P

8 Which part of the alimentary canal is in the form of a coiled tube?

- A** oesophagus
- B** pancreas
- C** rectum
- D** small intestine

9 Which row shows the changes that occur during exercise?

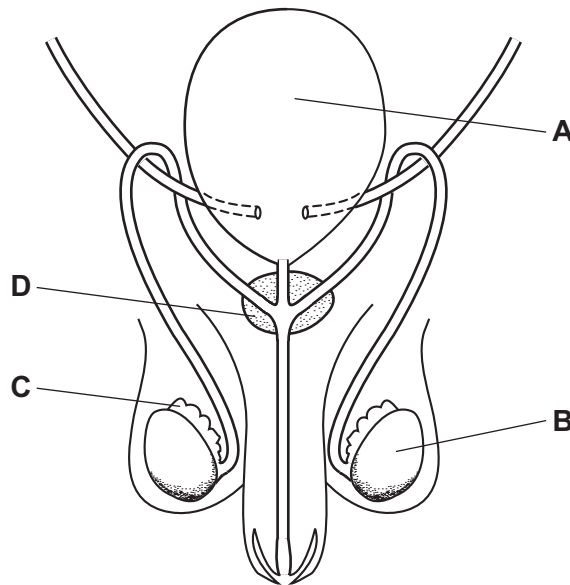
	breathing rate	depth of breathing
A	greater	greater
B	greater	same
C	same	greater
D	same	same

10 To which environmental stimulus is a plant root responding when it grows downwards?

- A** a decrease in soil water content
- B** light falling on the leaves of the plant
- C** rising temperature
- D** the force of gravity

11 The diagram shows the male reproductive system.

Which structure produces the hormones that control adolescence?



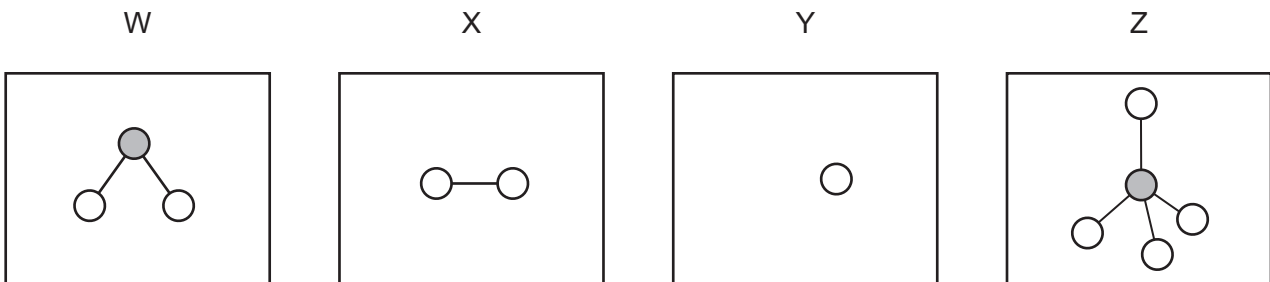
12 What are the features of human reproduction?

	haploid nuclei fuse	zygote formed in oviduct	offspring genetically identical
A	✓	✓	✗
B	✓	✗	✓
C	✗	✓	✗
D	✗	✗	✓

13 Deforestation can cause global warming because it leads to

- A** build up of carbon dioxide.
- B** extinction of species.
- C** flooding of low-lying areas.
- D** loss of soil.

14 W, X, Y and Z are diagrams of atoms and molecules.

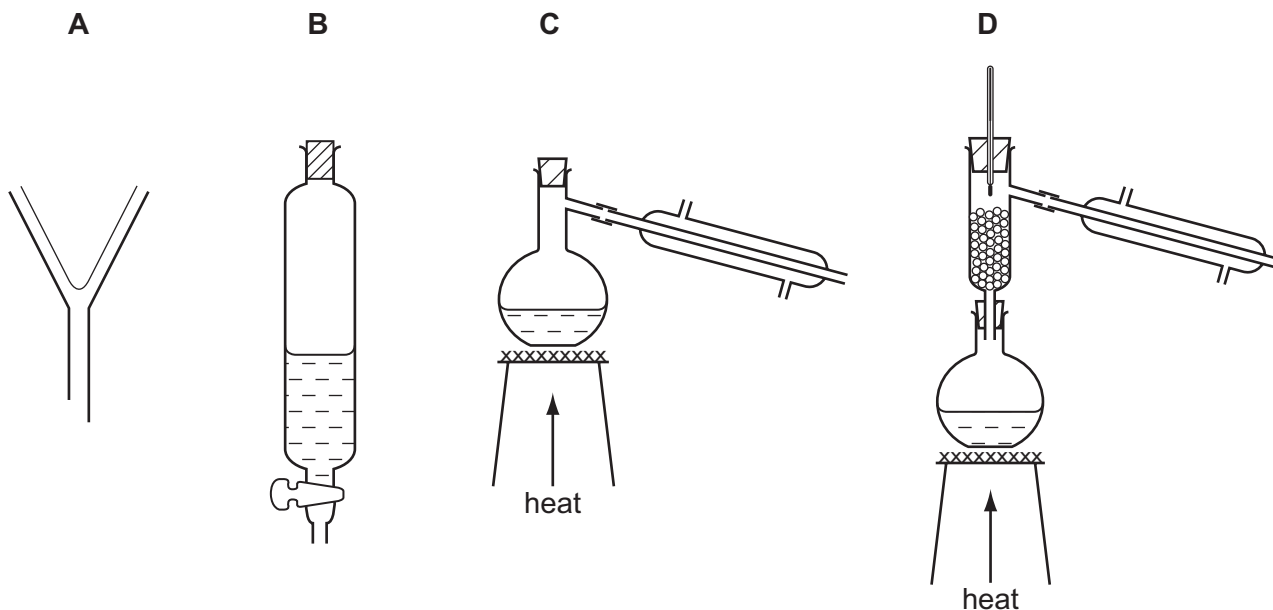


Which statement is correct?

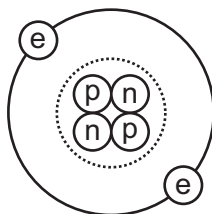
- A** W and Z are molecules and X and Y are atoms.
- B** W, X and Z are molecules and Y is an atom.
- C** W, Y and Z are molecules and X is an atom.
- D** X, Y and Z are molecules and W is an atom.

15 Hexane and octane are liquid hydrocarbons that mix together.

Which method is used to separate a mixture of these two liquids?



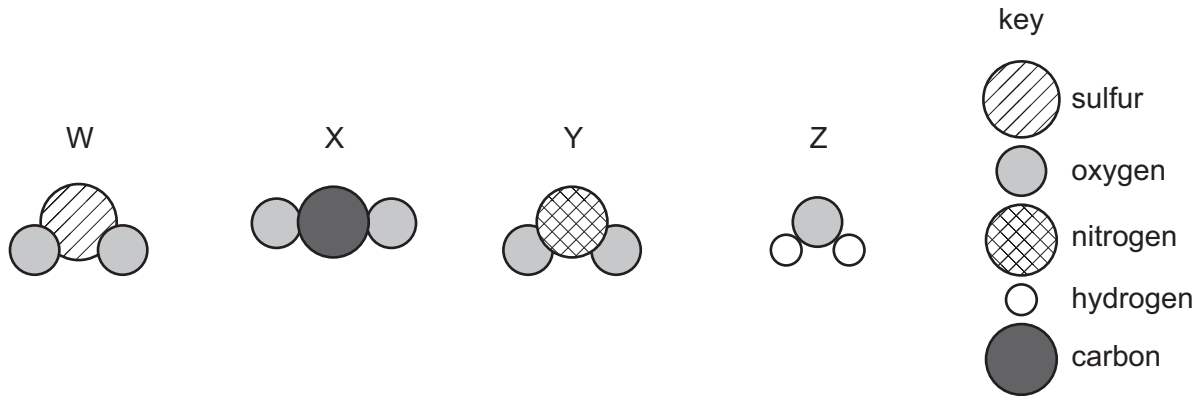
16 The diagram shows a helium atom.



Which particles in the helium atom have approximately the same mass?

- A electron and proton only
 - B electron and neutron only
 - C proton and neutron only
 - D electron, proton and neutron
- 17 Which change is a physical change?
- A burning fuels
 - B electrolysis of dilute sulfuric acid
 - C melting ice
 - D neutralising acids

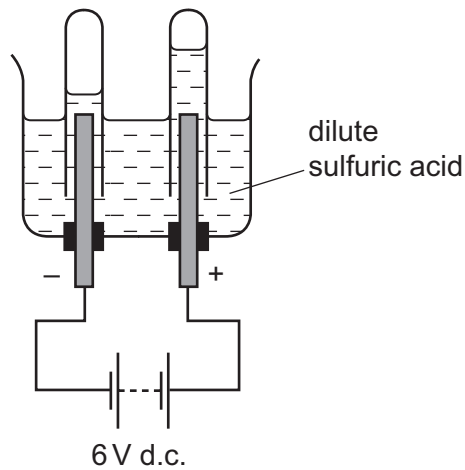
18 Diagrams W, X, Y and Z represent the structures of four different compounds.



Which row identifies these compounds?

	W	X	Y	Z
A	NO ₂	CO ₂	H ₂ O	SO ₂
B	NO ₂	H ₂ O	SO ₂	CO ₂
C	SO ₂	CO ₂	NO ₂	H ₂ O
D	SO ₂	NO ₂	CO ₂	H ₂ O

19 The diagram shows the electrolysis of dilute sulfuric acid.



Which substance is produced at the negative electrode?

- A** hydrogen
- B** oxygen
- C** sulfur dioxide
- D** water

20 Lime is manufactured by heating limestone.

Lime is used to control the acidity of soil.

Which types of chemical change occur in these two reactions?

	heating limestone	controlling acidity
A	endothermic	oxidation
B	endothermic	neutralisation
C	exothermic	oxidation
D	exothermic	neutralisation

21 Nitrogen from the air is used to manufacture ammonia.



Why is a catalyst used in this reaction?

- A** Nitrogen from the air is not pure.
- B** Nitrogen is a gas at room temperature.
- C** Nitrogen is a non-metallic element.
- D** Nitrogen is not very reactive.

22 Hydrochloric acid reacts with excess solid sodium carbonate to form sodium chloride, water and carbon dioxide gas.

Which method is used to investigate the speed of this reaction?

- A** Measure the pH of the reaction mixture after 10 minutes.
- B** Measure the time taken for all of the solid to dissolve.
- C** Measure the total volume of gas produced.
- D** Measure the volume of gas produced every minute.

23 The table shows the results of some tests on a compound.

test	result
adding dilute sodium hydroxide	green precipitate
adding acidified barium nitrate	white precipitate

What is the compound?

- A iron(II) chloride
- B iron(II) sulfate
- C iron(III) chloride
- D iron(III) sulfate

24 An element is a solid at room temperature and does **not** conduct electricity.

What is the proton number of this element?

- A 11 B 19 C 35 D 53

25 Some of the gases found in polluted air are listed.

- 1 carbon monoxide
- 2 carbon dioxide
- 3 nitrogen dioxide
- 4 sulfur dioxide

Which gases cause the erosion of buildings?

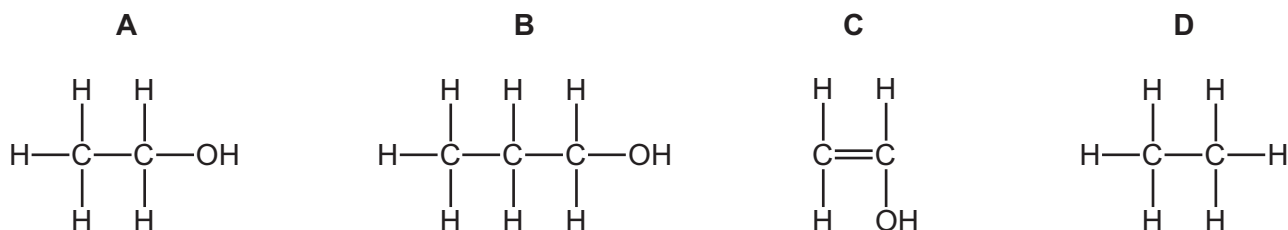
- A 1 and 3 B 1 and 4 C 2 and 4 D 3 and 4

26 What is limestone?

- A calcium carbonate
- B calcium chloride
- C calcium hydroxide
- D calcium oxide

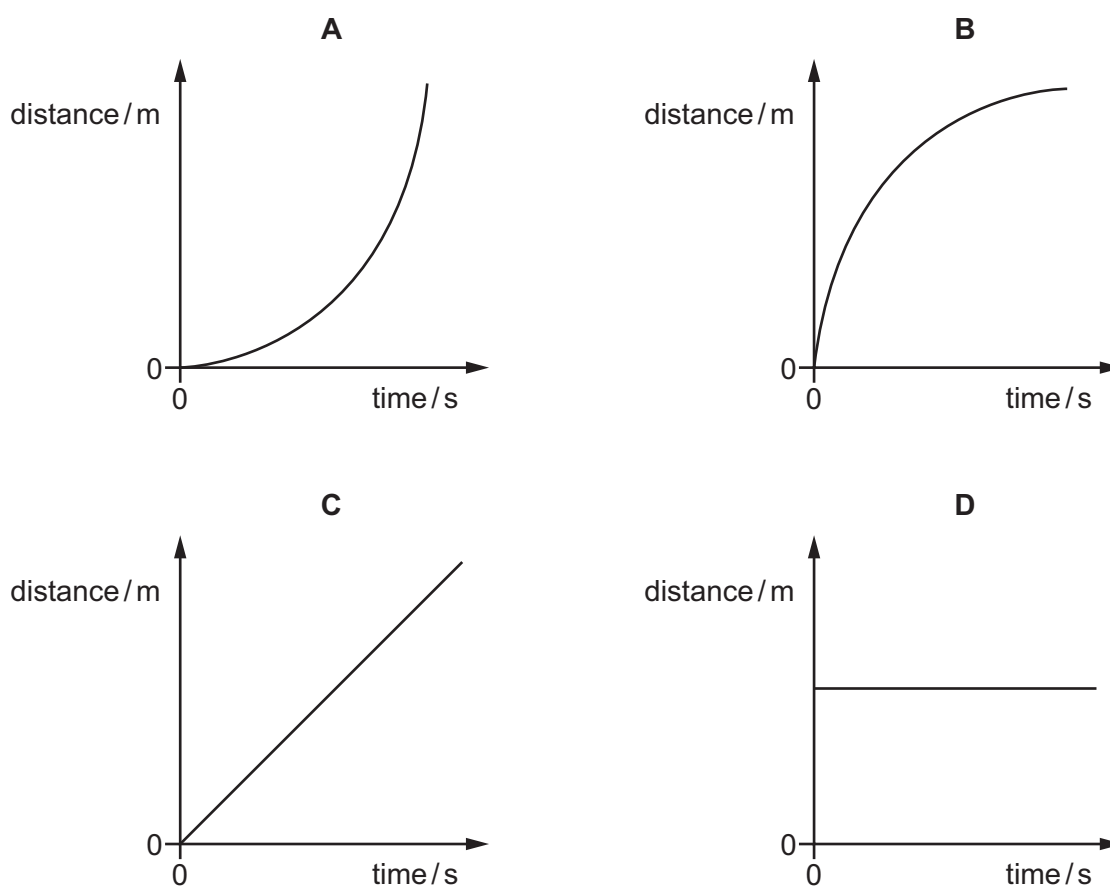
27 Four molecules are shown.

Which structure represents ethanol?



28 The following are distance/time graphs.

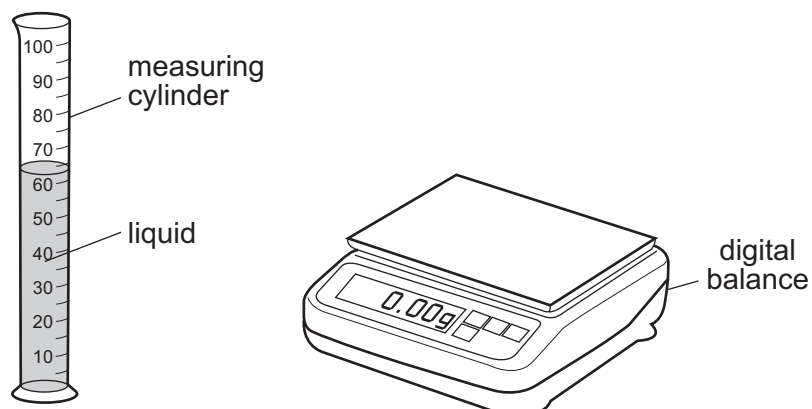
Which graph shows an object moving at constant speed?



29 Which row identifies a quantity or quantities that can be measured in newtons?

	electromotive force (e.m.f.)	mass	weight
A	no	no	yes
B	no	yes	yes
C	yes	no	no
D	yes	yes	no

30 A student pours liquid into a measuring cylinder.

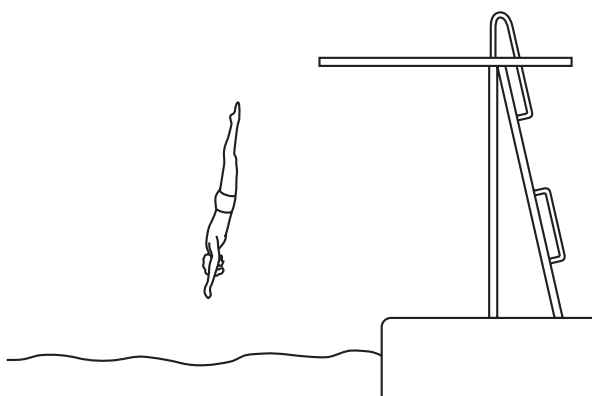


The student records the volume of the liquid from the scale on the measuring cylinder. He then puts the measuring cylinder containing the liquid on a balance and records the mass.

What else needs to be measured before the density of the liquid can be calculated?

- A the depth of the liquid in the measuring cylinder
- B the mass of the empty measuring cylinder
- C the temperature of the liquid in the measuring cylinder
- D the volume of the empty measuring cylinder

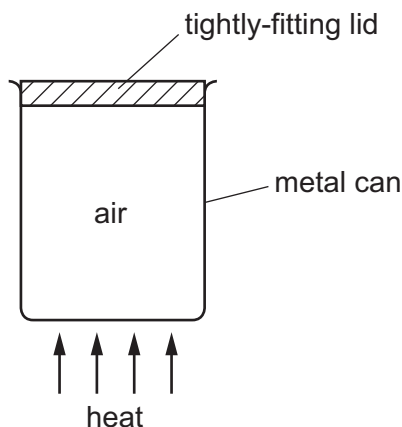
31 The diagram shows a man diving into water.



Which form of energy is increasing as he falls?

- A chemical
- B gravitational
- C kinetic
- D strain

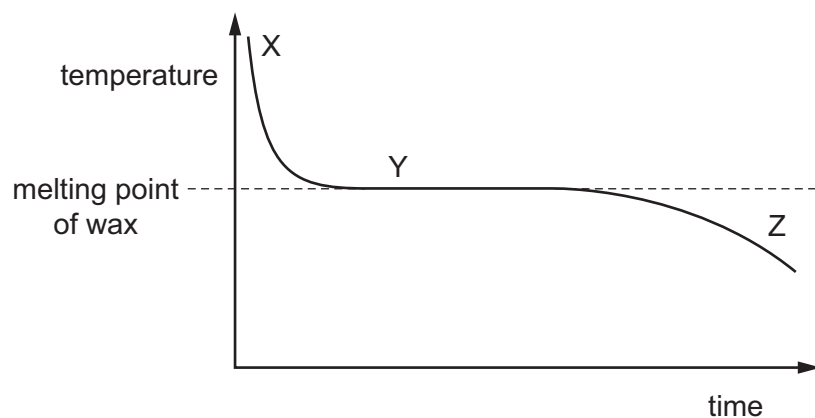
- 32 Some air is trapped inside a metal can with a tightly-fitting lid.



The can is heated strongly behind a safety screen. The lid is blown off by the increased pressure of the air inside the can.

What causes the increase in pressure of the air inside the can?

- A The air molecules expand and take up more room.
 - B The air molecules move more quickly.
 - C The number of molecules inside the can increases.
 - D The volume occupied by the molecules decreases.
- 33 A student carries out an experiment to find the melting point of wax. The graph shows how the temperature of the wax changes as it changes from liquid to solid.

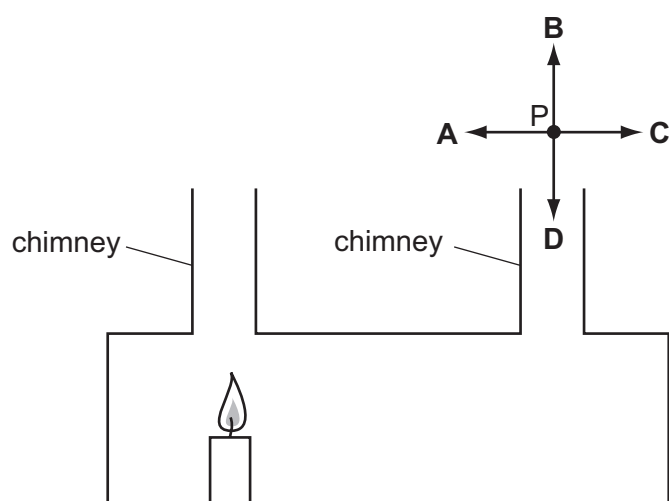


Which statement is correct?

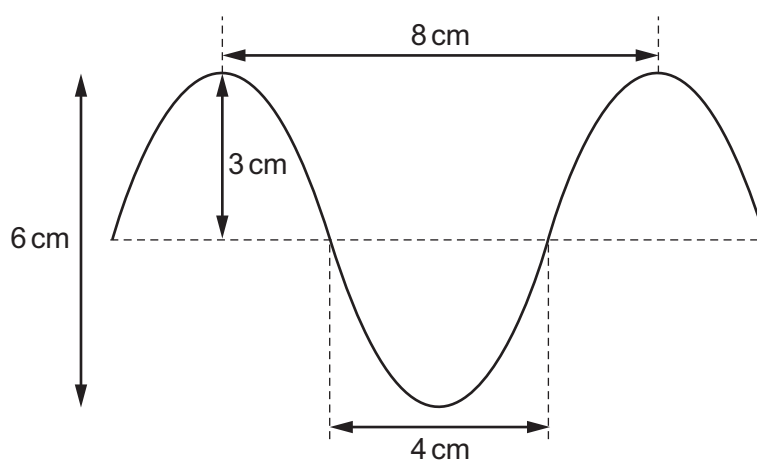
- A At X the temperature drops more slowly than at Z.
- B At Y all the wax is solid.
- C At Y thermal energy is being given out by the wax.
- D At Z the wax molecules are far apart.

- 34 A teacher demonstrates convection currents using a lighted candle in a box with two chimneys. She holds a smoking taper at point P.

In which direction does the convection current cause the smoke to move?



- 35 The diagram shows a wave.

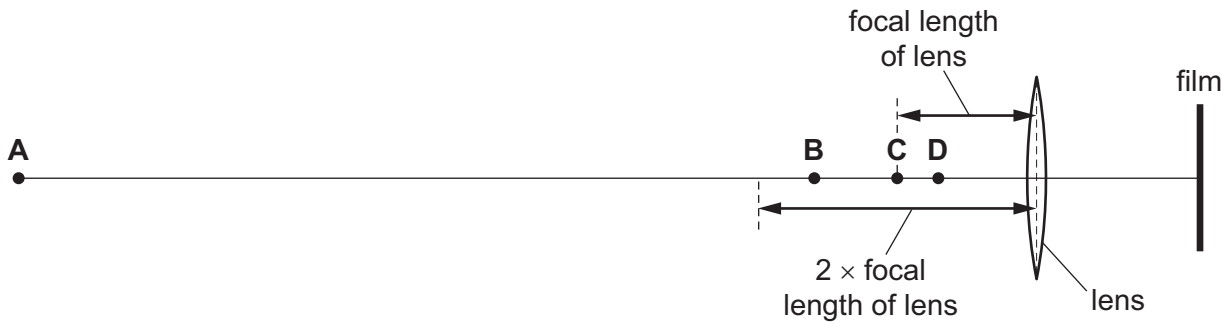


What are the amplitude and the wavelength of this wave?

	amplitude / cm	wavelength / cm
A	3	4
B	3	8
C	6	4
D	6	8

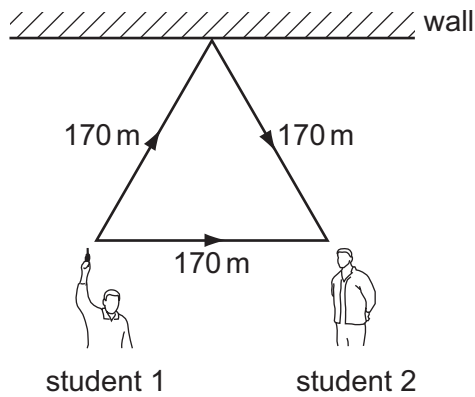
- 36 The converging lens in a camera is used to make an image on a film. The image is smaller than the object.

At which labelled point is the object positioned?



- 37 Student 1 and student 2 stand 170 m apart as shown in the diagram.

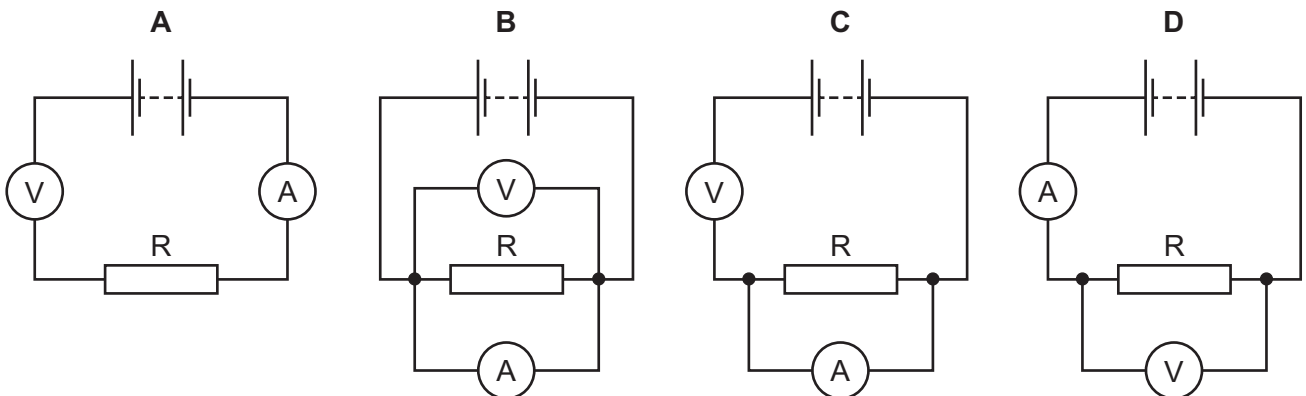
Student 1 fires a starting pistol. Student 2 hears the sound twice, once by the direct route and once from the reflection from the wall.



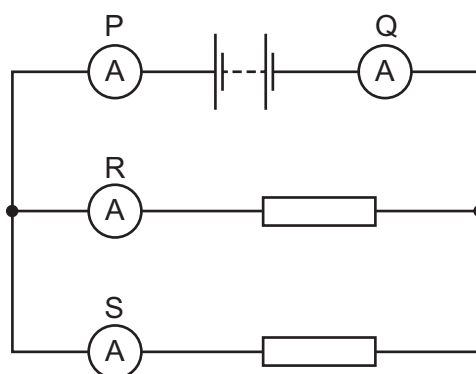
The speed of sound in air is 340 m/s. What is the interval between hearing the two sounds?

- A 0.25 s B 0.50 s C 1.0 s D 2.0 s
- 38 A student wishes to determine the resistance of resistor R. She uses a circuit including a voltmeter and an ammeter.

Which circuit should be used?



- 39 A student uses four ammeters P, Q, R and S to measure the current in different parts of the circuit shown.



Which two ammeters read the largest current?

- A P and Q B P and R C R and Q D R and S
- 40 The table compares an atom of carbon-13 and an atom of nitrogen-14.

	carbon-13	nitrogen-14
nucleon number A	6	7
proton number Z	13	14

A neutral atom of carbon-13 and a neutral atom of nitrogen-14 have the same number of

- A electrons.
 B ions.
 C neutrons.
 D protons.

DATA SHEET
The Periodic Table of the Elements

		Group											
		I	II	III	IV	V	VI	VII	VIII	IX	X	XI	XII
		1 H Hydrogen 1											
7	9	2											
3	4	3											
11	12	4											
19	20	5											
37	38	6											
55	56	7											
87	88	8											
133	137	9											
223	226	10											
227	227	11											
89	89	12											
89	89	13											
89	89	14											
89	89	15											
89	89	16											
89	89	17											
89	89	18											
89	89	19											
89	89	20											
89	89	21											
89	89	22											
89	89	23											
89	89	24											
89	89	25											
89	89	26											
89	89	27											
89	89	28											
89	89	29											
89	89	30											
89	89	31											
89	89	32											
89	89	33											
89	89	34											
89	89	35											
89	89	36											
89	89	37											
89	89	38											
89	89	39											
89	89	40											
89	89	41											
89	89	42											
89	89	43											
89	89	44											
89	89	45											
89	89	46											
89	89	47											
89	89	48											
89	89	49											
89	89	50											
89	89	51											
89	89	52											
89	89	53											
89	89	54											
89	89	55											
89	89	56											
89	89	57											
89	89	58											
89	89	59											
89	89	60											
89	89	61											
89	89	62											
89	89	63											
89	89	64											
89	89	65											
89	89	66											
89	89	67											
89	89	68											
89	89	69											
89	89	70											
89	89	71											
89	89	72											
89	89	73											
89	89	74											
89	89	75											
89	89	76											
89	89	77											
89	89	78											
89	89	79											
89	89	80											
89	89	81											
89	89	82											
89	89	83											
89	89	84											
89	89	85											
89	89	86											
89	89	87											
89	89	88											
89	89	89											
89	89	90											
89	89	91											
89	89	92											
89	89	93											
89	89	94											
89	89	95											
89	89	96											
89	89	97											
89	89	98											
89	89	99											
89	89	100											
89	89	101											
89	89	102											
89	89	103											
89	89	104											
89	89	105											
89	89	106											
89	89	107											
89	89	108											
89	89	109											
89	89	110											
89	89	111											
89	89	112											
89	89	113											
89	89	114											
89	89	115											
89	89	116											
89	89	117											
89	89	118											
89	89	119											
89	89	120											
89	89	121											
89	89	122											
89	89	123											
89	89	124											
89	89	125											
89	89	126											
89	89	127											
89	89	128											
89	89	129											
89	89	130											
89	89	131											
89	89	132											
89	89	133											
89	89	134											
89	89	135											
89	89	136											
89	89	137											
89	89	138											
89	89	139											
89	89	140											
89	89	141											
89	89	142											
89	89	143											
89	89	144											
89	89	145											
89	89	146											
89	89	147											
89	89	148											
89	89	149											
89	89	150											
89	89	151											
89	89	152											
89	89	153											
89	89	154											
89	89	155											
89	89	156											
89	89	157											
89	89	158											
89	89	159											
89	89	160											
89	89	161											
89	89	162											
89	89	163											
89	89	164											
89	89	165											
89	89	166											
89	89	167											
89	89	168											
89	89	169											
89	89	170											
89	89	171											
89	89	172											
89	89	173											
89	89	174											
89	89	175											
89	89	176											
89	89	177											
89	89	178											
89	89	179											
89	89	180											
89	89	181											
89	89	182											
89	89	183											
89	89	184											
89	89	185											
89	89	186											
89	89	187											
89	89	188											
89	89	189											
89	89	190											
89	89	191											
89	89	192											
89	89	193											
89	89	194											
89	89	195											
89	89	196											
89	89	197											
89	89	198											
89	89	199											
89	89	200											
89	89	201											
89	89	202											
89	89	203											
89	89	204											
89	89	205											
89	89	206											
89	89	207											
89	89	208											
89	89	209											
89	89	210											
89	89	211											
89	89	212											
89	89	213											
89	89	214											
89	89	215											
89	89	216											
89	89	217											
89	89	218											
89	89	219											
89	89	220											
89	89	221											
89	89	222											
89	89	223											
89	89	224											
89	89	225											
89	89	226											
89	89	227											
89	89	228											
89	89	229											
89	89	230											
89	89	231											
89	89	232											
89	89	233											
89	89	234											
89	89	235											
89	89	236											
89	89	237											
89	89	238											
89	89	239											
89	89	240											
89	89	241											
89	89	242											
89	89	243											
89	89	244											
89	89	245											
89	89	246											
89	89	247											
89	89	248											
89	89	249											
89	89	250											
89	89	251											
89	89	252											
89	89	253											
89	89	254											
89	89	255											
89	89	256											
89	89	257											
89	89	258											
89	89	259											
89	89	260											
89	89	261											
89	89	262											
89	89	263											
89	89	264											
89	89	265											
89	89	266											
89	89	267											
89	89	268											
89	89	269											
89	89	270											
89	89	271											
89	89	272											
89	89	273											
89	89	274											
89	89	275											
89	89	276											
89	89	277											
89	89	278											
89	89	279											
89	89	280											
89	89	281											
89													