

UNIVERSITY OF CAMBRIDGE INTERNATIONAL EXAMINATIONS
International General Certificate of Secondary Education

COMBINED SCIENCE

0653/01

Paper 1 Multiple Choice

May/June 2005

45 minutes

Additional Materials: Multiple Choice Answer Sheet
Soft clean eraser
Soft pencil (type B or HB is recommended)

READ THESE INSTRUCTIONS FIRST

Write in soft pencil.

Do not use staples, paper clips, highlighters, glue or correction fluid.

Write your name, Centre number and candidate number on the answer sheet in the spaces provided unless this has been done for you.

There are **forty** questions on this paper. Answer **all** questions.

For each question there are four possible answers **A, B, C** and **D**. Choose the **one** you consider correct and record your choice in **soft pencil** on the separate answer sheet.

Read the instructions on the answer sheet very carefully.

Each correct answer will score one mark. A mark will not be deducted for a wrong answer.

Any rough working should be done in this booklet.

A copy of the Periodic Table is printed on page 20.

This document consists of **18** printed pages and **2** blank pages.



1 Water enters a plant cell.

In what order does water pass through the cell structures before reaching the vacuole?

- A cell surface membrane → cell wall → cytoplasm
- B cell wall → cell surface membrane → cytoplasm
- C cell wall → cytoplasm → cell surface membrane
- D cytoplasm → cell wall → cell surface membrane

2 When a plant cell is placed in a dilute solution of red dye, the contents of the cell do not become red.

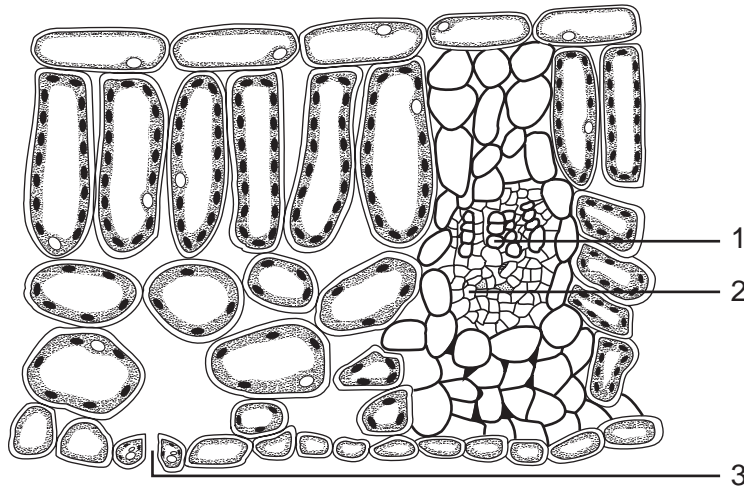
What prevents the dye molecules from entering the cell?

- A cell membrane
- B chloroplasts
- C cytoplasm
- D vacuole

3 Which statement about enzymes is correct?

- A They are made of carbohydrate.
- B They are **not** denatured by high temperatures.
- C They speed up chemical reactions.
- D They work only inside living cells.

4 The diagram shows a section through a leaf.



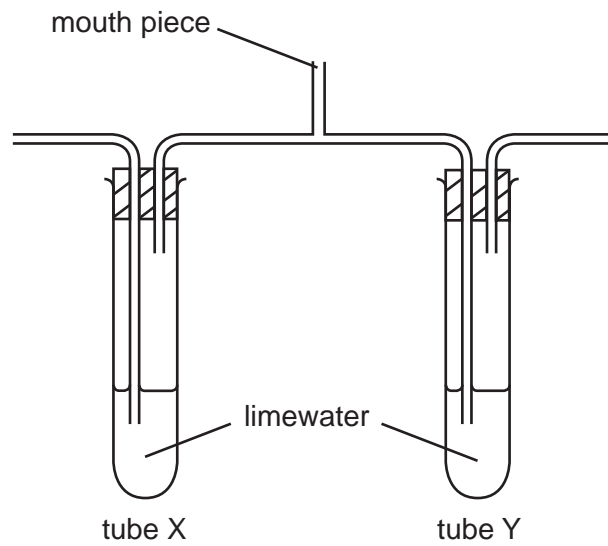
Which part brings water to the leaf and through which part does the water leave the leaf?

| | brings water | water leaves |
|----------|--------------|--------------|
| A | 1 | 2 |
| B | 1 | 3 |
| C | 2 | 1 |
| D | 3 | 1 |

5 Which two nutrients are needed for healthy bone and tooth development?

- A** calcium and iron
- B** iron and vitamin C
- C** vitamin C and vitamin D
- D** vitamin D and calcium

- 6 The diagram shows apparatus at the start of a breathing experiment.



A person breathes in and out through the mouth piece for a short time.

Which shows the results?

| | limewater in tube X | limewater in tube Y |
|----------|---------------------|---------------------|
| A | goes cloudy | goes cloudy |
| B | goes cloudy | stays clear |
| C | stays clear | goes cloudy |
| D | stays clear | stays clear |

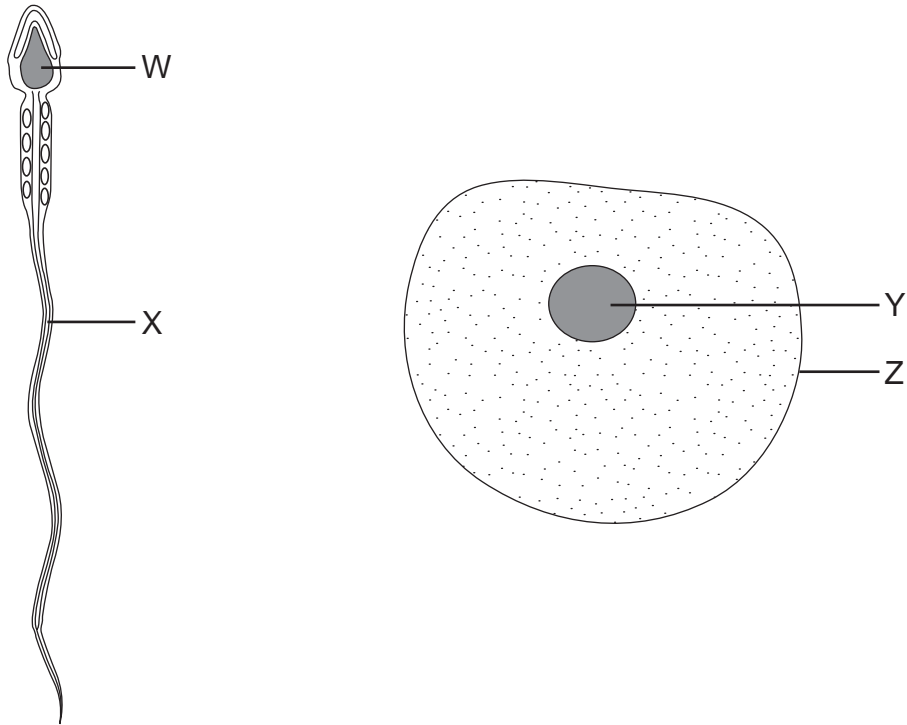
- 7 Which structure supplies oxygenated blood to the heart muscle?

- A** coronary artery
- B** pulmonary artery
- C** right atrium
- D** vena cava

- 8 Which organ makes insulin?

- A** kidney
- B** liver
- C** pancreas
- D** stomach

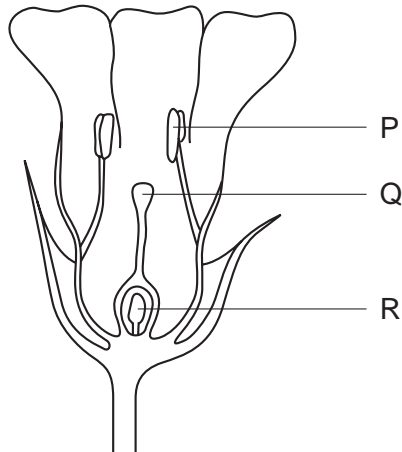
9 The diagrams show a sperm and an egg.



Which structures fuse during fertilisation?

- A** W and Y **B** W and Z **C** X and Y **D** X and Z

10 The diagram shows a section through a flower.



Where are male gametes and female gametes made?

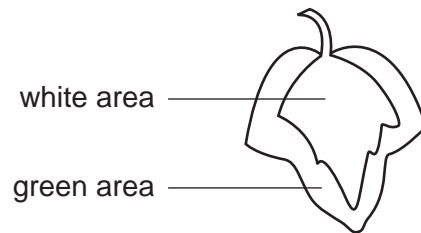
| | male gametes | female gametes |
|----------|--------------|----------------|
| A | P | R |
| B | Q | P |
| C | R | P |
| D | R | Q |

11 How does the IUD (intra-uterine device) prevent pregnancy?

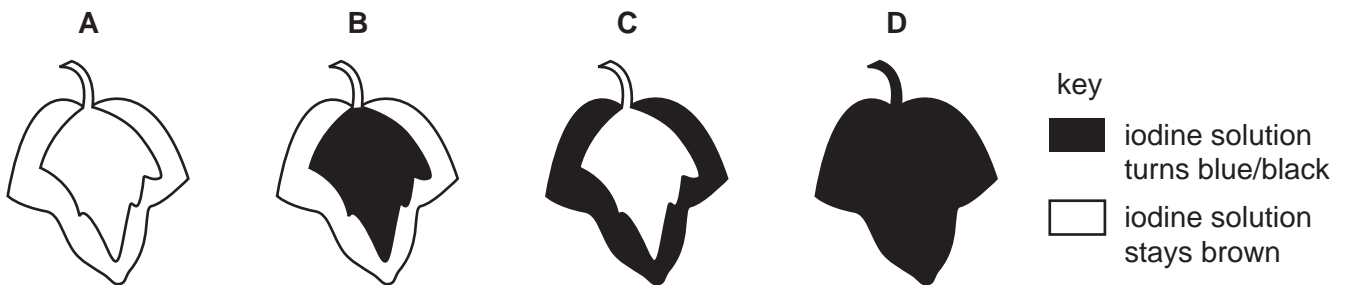
- A kills the sperms
- B prevents egg production
- C prevents fertilisation
- D prevents implantation

12 In a photosynthesis experiment, a plant is left in bright sunlight for several hours. A leaf is then removed from the plant and tested for starch, using iodine solution.

The diagram shows the leaf from the plant that was used in the experiment.



Which diagram shows the result of the experiment?



13 What is the cause of variation?

| | genes | environment |
|---|-------|-------------|
| A | ✓ | ✓ |
| B | ✓ | x |
| C | x | ✓ |
| D | x | x |

14 An examiner with poor handwriting writes a question about element Y.

The question says that Y

- burns,
- conducts electricity.

A typist – who has studied IGCSE Combined Science – is given the question to type.

Which of these two properties tell the typist to type ${}^7\text{Y}$ and not ${}_{7}\text{Y}$?

| | burns | conducts electricity |
|----------|-------|----------------------|
| A | ✓ | ✓ |
| B | ✓ | x |
| C | x | ✓ |
| D | x | x |

15 Which method of separation can be used to obtain pure water from aqueous potassium chloride?

- A** chromatography
- B** crystallisation
- C** distillation
- D** filtration

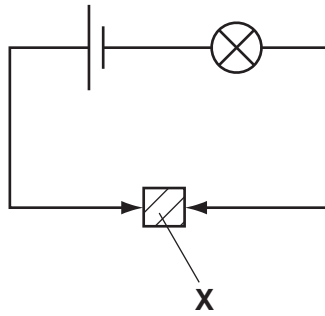
16 Which gases have molecules that contain one or more double covalent bonds?

| | carbon dioxide | ethene | hydrogen chloride |
|----------|----------------|--------|-------------------|
| A | ✓ | ✓ | ✓ |
| B | ✓ | ✓ | x |
| C | x | ✓ | ✓ |
| D | x | x | ✓ |

17 Which three elements are all transition elements?

- A** chlorine, bromine and iodine
- B** helium, neon and argon
- C** lithium, sodium and potassium
- D** iron, cobalt and nickel

18 A solid **X** is placed in the circuit shown. The lamp lights.

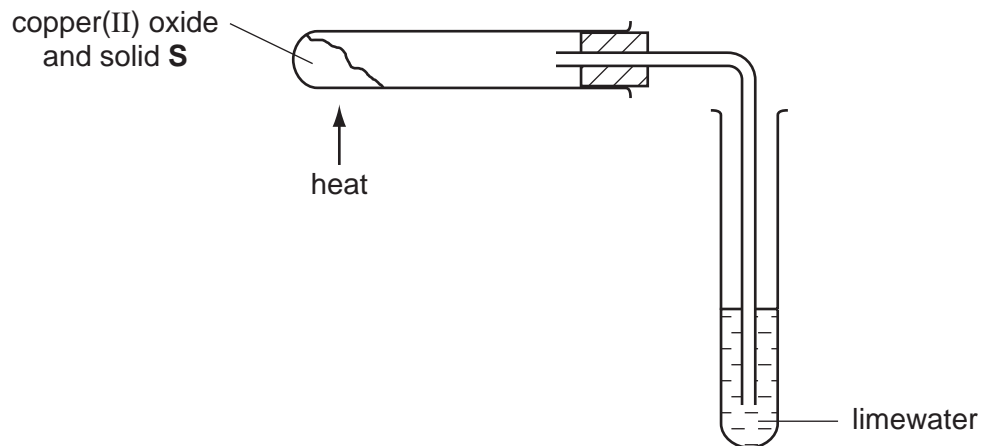


What is solid **X**?

- A an alloy
- B a compound
- C an electrolyte
- D a salt

19 Copper(II) oxide is mixed with solid **S**.

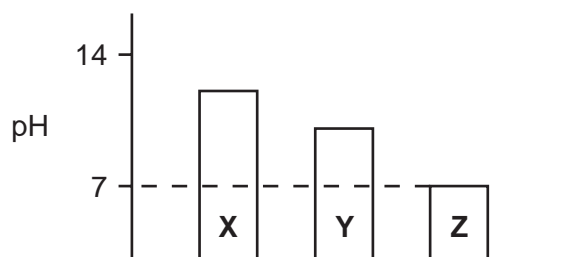
On heating the mixture, a reaction occurs and the limewater turns cloudy.



What is solid **S**?

- A carbon
- B iron
- C sodium
- D zinc

- 20 An excess of each of metals **X**, **Y** and **Z** is separately added to water. The pH of the resulting liquids is measured.



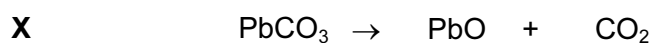
Which metals are **X**, **Y** and **Z**?

| | X | Y | Z |
|----------|----------|----------|----------|
| A | copper | calcium | sodium |
| B | copper | sodium | calcium |
| C | sodium | calcium | copper |
| D | sodium | copper | calcium |

- 21 How are salts formed from acids?

- A** Hydrogen is replaced by a metal.
- B** Hydrogen is replaced by a non-metal.
- C** Oxygen is replaced by a metal.
- D** Oxygen is replaced by a non-metal.

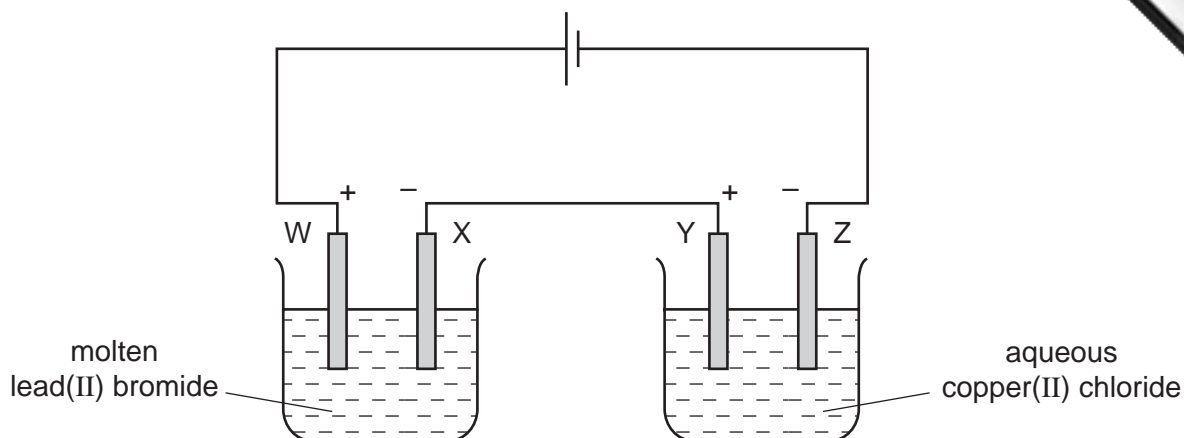
- 22 The equations for two reactions are shown.



Which types of reaction are **X** and **Y**?

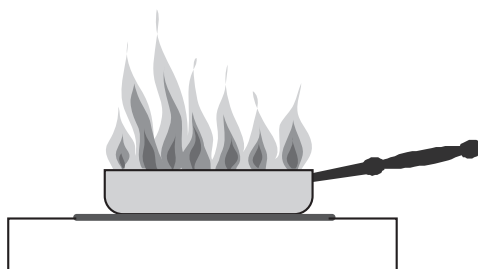
| | X | Y |
|----------|-----------------------|-----------------------|
| A | combustion | thermal decomposition |
| B | combustion | neutralisation |
| C | thermal decomposition | combustion |
| D | thermal decomposition | neutralisation |

23 An electrolysis circuit is set up using carbon electrodes as shown.



At which two electrodes would a Group VII element be formed?

- A** W and Y **B** W and Z **C** X and Y **D** X and Z
- 24 Which reagents, in aqueous solution, **all** give a white precipitate when added drop by drop to aqueous zinc chloride?
- A** ammonia, barium chloride and hydrochloric acid
B ammonia, barium chloride and silver nitrate
C ammonia, silver nitrate and sodium hydroxide
D hydrochloric acid, silver nitrate and sodium hydroxide
- 25 A pan of hot oil on a cooker catches fire.



After switching off the cooker, the fire is put out by covering the pan with a cloth.

Why does the cloth put out the fire?

- A** The cloth absorbs the heat of the flames.
B The cloth cuts off the air supply.
C The cloth is not able to burn.
D The cloth soaks up all the oil.

26 How can a plastic be described?

- A a mixture of ions
- B a mixture of long chain molecules
- C a mixture of atoms of metals
- D a mixture of small hydrocarbon molecules

27 A hydrocarbon fuel is burnt completely.



What are the products of this reaction?

| | X | Y |
|---|-----------------|------------------|
| A | CO | H ₂ |
| B | CO | H ₂ O |
| C | CO ₂ | H ₂ |
| D | CO ₂ | H ₂ O |

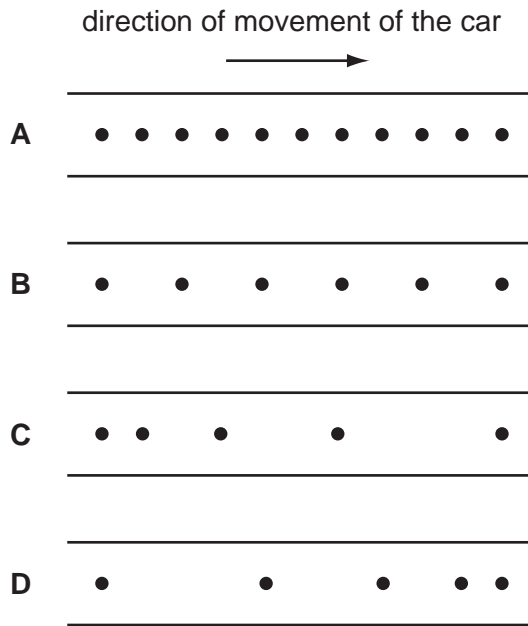
28 A decorator wishes to calculate the area of a bathroom tile so that he can estimate the amount of adhesive which he needs to buy.

What must he use?

- A a measuring cylinder only
- B a ruler only
- C a measuring cylinder and a clock only
- D a measuring cylinder and a ruler only

29 A moving car drips oil on to a road at a steady rate.

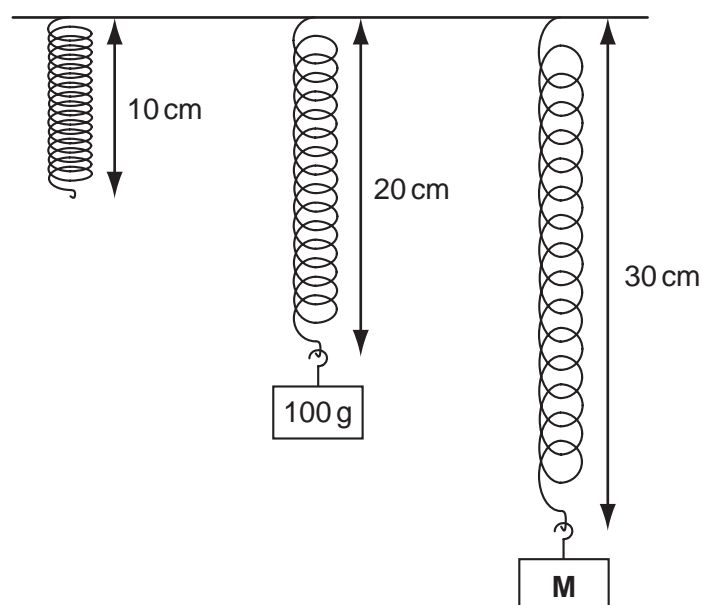
Which diagram shows that the speed of the car is increasing?



30 Which statement is correct?

- A** The mass of a bottle of water at the North Pole is different from its mass at the Equator.
- B** The mass of a bottle of water is measured in newtons.
- C** The weight of a bottle of water and its mass are the same thing.
- D** The weight of a bottle of water is one of the forces acting on it.

- 31 Objects with different masses are hung on a 10 cm spring. The diagram shows how the spring stretches.



The extension of the spring is directly proportional to the mass hung on it.

What is the mass of object **M**?

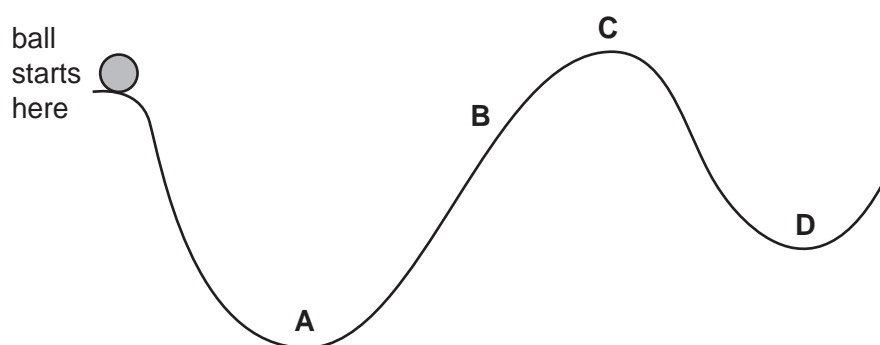
- A** 110 g **B** 150 g **C** 200 g **D** 300 g
- 32 A power station uses nuclear fission to obtain energy.

In this process, nuclear energy is **first** changed into

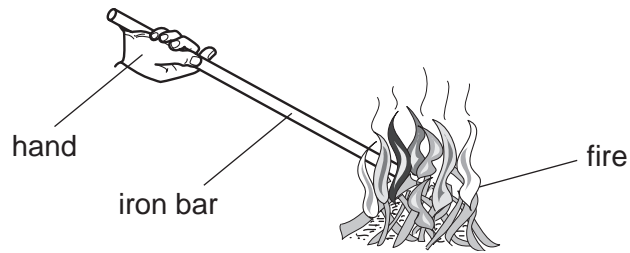
- A** chemical energy.
B electrical energy.
C heat energy.
D potential energy.

- 33 A ball is released from rest and rolls down a track from the position shown.

What is the furthest position the ball could reach?



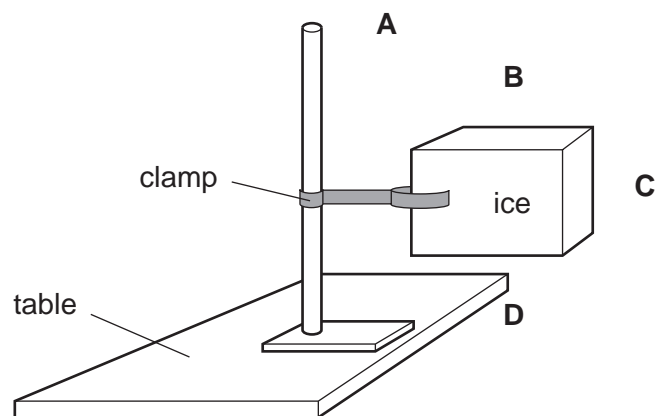
- 34 An iron bar is held with one end in a fire. The other end soon becomes too hot to hold.



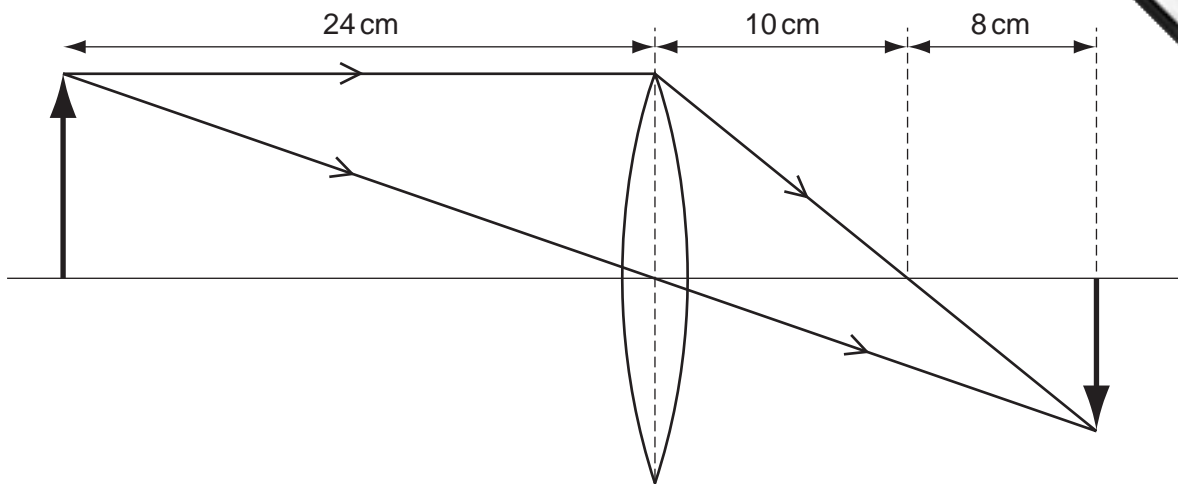
How has the heat travelled along the iron bar?

- A by conduction
 - B by convection
 - C by expansion
 - D by radiation
- 35 The diagram shows a block of ice placed in a warm room.

At which point is the temperature the **lowest**?



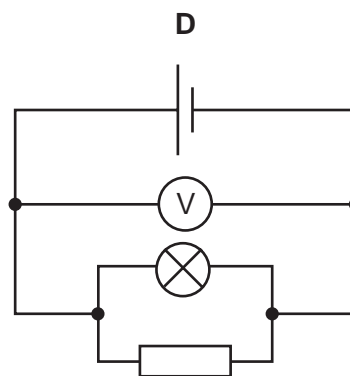
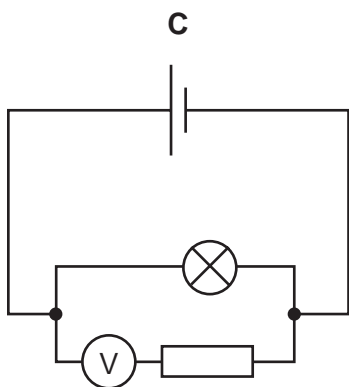
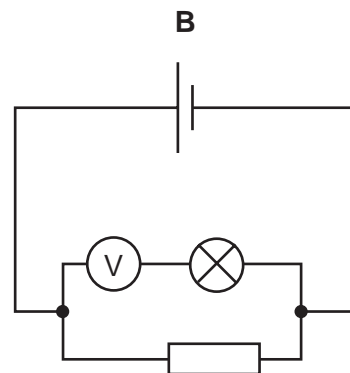
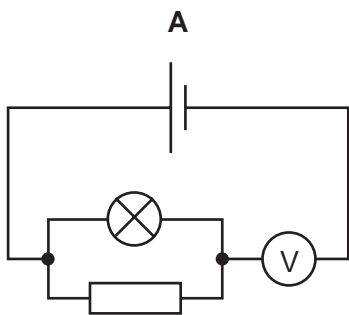
36 The ray diagram shows how an image is formed by a converging lens.



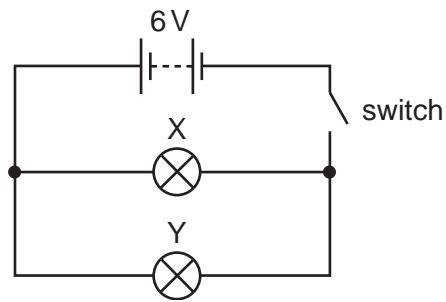
What is the focal length of this lens?

- A** 8 cm **B** 10 cm **C** 18 cm **D** 24 cm

37 In which circuit does the voltmeter read the potential difference across the lamp?

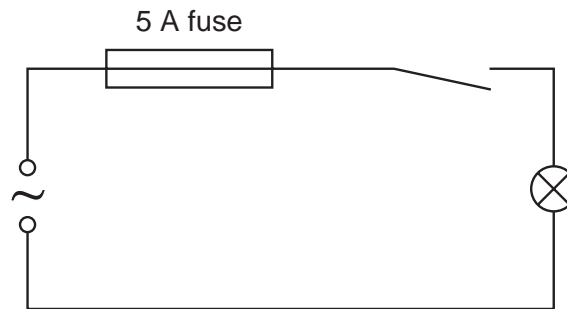


38 In the circuit below, X and Y are identical 6 V lamps.



What happens when the switch is closed?

- A X lights more brightly than Y.
 - B Y lights more brightly than X.
 - C X and Y light with equal brightness.
 - D Neither X nor Y light.
- 39 A student makes the circuit shown.



The fuse has blown and stopped the current.

What could have caused this?

- A The current rating of the fuse was too high.
- B The current was too large.
- C The lamp was loose.
- D The voltage was too small.

40 The activity of a radioactive source is measured at intervals during a period of 1200 s.

The results are given in the table.

| time/s | activity/counts per second |
|--------|----------------------------|
| 0 | 101 |
| 300 | 50 |
| 600 | ? |
| 900 | 13 |
| 1200 | 6 |

Which reading is most likely at 600 s?

A 19

B 24

C 31

D 37

DATA SHEET
The Periodic Table of the Elements

| | | Group | | | | | | | | | | | | | | | |
|-----------------------------|------------------------------|------------------------------|------------------------------|-----------------------------|-------------------------------|-------------------------------|------------------------------|----------------------------|------------------------------|---------------------------|----------------------------|-----------------------------|--------------------------------|-----------------------------|------------------------------|-----------------------------|----------------------------|
| I | II | III | IV | V | VI | VII | O | | | | | | | | | | |
| 1 H Hydrogen | | | | | | | | | | | 2 He Helium | | | | | | |
| 3 Li Lithium | 4 Be Beryllium | | | | | | | | | | | 10 Ne Neon | | | | | |
| 11 Na Sodium | 12 Mg Magnesium | | | | | | | | | | | 18 Ar Argon | | | | | |
| 19 K Potassium | 20 Ca Calcium | 21 Sc Scandium | 22 Ti Titanium | 23 V Vanadium | 24 Cr Chromium | 25 Mn Manganese | 26 Fe Iron | 27 Co Cobalt | 28 Ni Nickel | 29 Cu Copper | 30 Zn Zinc | 31 Ga Gallium | 32 Ge Germanium | 33 As Arsenic | 34 Se Selenium | 35 Br Bromine | 36 Kr Krypton |
| 37 Rb Rubidium | 38 Sr Strontium | 39 Y Yttrium | 40 Zr Zirconium | 41 Nb Niobium | 42 Mo Molybdenum | 43 Tc Technetium | 44 Ru Ruthenium | 45 Rh Rhodium | 46 Pd Palladium | 47 Ag Silver | 48 Cd Cadmium | 49 In Indium | 50 Sn Tin | 51 Sb Antimony | 52 Te Tellurium | 53 I Iodine | 54 Xe Xenon |
| 55 Cs Caesium | 56 Ba Barium | 57 La Lanthanum | 72 Hf Hafnium | 73 Ta Tantalum | 74 W Tungsten | 75 Re Rhenium | 76 Os Osmium | 77 Ir Iridium | 78 Pt Platinum | 79 Au Gold | 80 Hg Mercury | 81 Tl Thallium | 82 Pb Lead | 83 Bi Bismuth | 84 Po Polonium | 85 At Astatine | 86 Rn Radon |
| 87 Fr Francium | 88 Ra Radium | 89 Ac Actinium | | | | | | | | | | | 103 Lr Lawrencium | | | | |

| | | | | | | | | | | | |
|----------------------------|----------------------------------|-------------------------------|------------------------------|------------------------------|--------------------------------|--------------------------------|--------------------------------|-----------------------------|---------------------------------|-------------------------------|--------------------------------|
| 140 Ce Cerium | 141 Pr Praseodymium | 144 Nd Neodymium | 150 Sm Samarium | 152 Eu Europium | 157 Gd Gadolinium | 162 Dy Dysprosium | 165 Ho Holmium | 167 Er Erbium | 169 Tm Thulium | 173 Yb Ytterbium | 175 Lu Lutetium |
| 90 Th Thorium | 91 Pa Protactinium | 92 U Uranium | 94 Pu Plutonium | 95 Am Americium | 96 Cm Curium | 98 Cf Californium | 99 Es Einsteinium | 100 Fm Fermium | 101 Md Mendelevium | 102 No Nobelium | 103 Lr Lawrencium |

*58-71 Lanthanoid series
90-103 Actinoid series

Key

| | |
|---|----------|
| a | X |
| b | |

a = relative atomic mass
X = atomic symbol
b = proton (atomic) number

The volume of one mole of any gas is 24 dm³ at room temperature and pressure (r.t.p.).