



Cambridge International Examinations
Cambridge International General Certificate of Secondary Education

COMBINED SCIENCE

0653/13

Paper 1 Multiple Choice

October/November 2015

45 minutes

Additional Materials: Multiple Choice Answer Sheet
Soft clean eraser
Soft pencil (type B or HB is recommended)



READ THESE INSTRUCTIONS FIRST

Write in soft pencil.

Do not use staples, paper clips, glue or correction fluid.

Write your name, Centre number and candidate number on the Answer Sheet in the spaces provided unless this has been done for you.

DO NOT WRITE IN ANY BARCODES.

There are **forty** questions on this paper. Answer **all** questions. For each question there are four possible answers **A, B, C** and **D**.

Choose the **one** you consider correct and record your choice in **soft pencil** on the separate Answer Sheet.

Read the instructions on the Answer Sheet very carefully.

Each correct answer will score one mark. A mark will not be deducted for a wrong answer.

Any rough working should be done in this booklet.

A copy of the Periodic Table is printed on page 20.

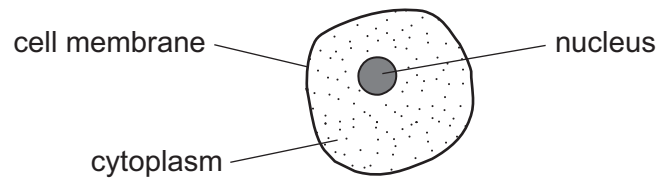
Electronic calculators may be used.

This document consists of **18** printed pages and **2** blank pages.

1 What are three characteristics of living organisms?

	characteristic 1	characteristic 2	characteristic 3
A	breathing	reproduction	sensitivity
B	digestion	growth	movement
C	excretion	nutrition	transpiration
D	nutrition	reproduction	sensitivity

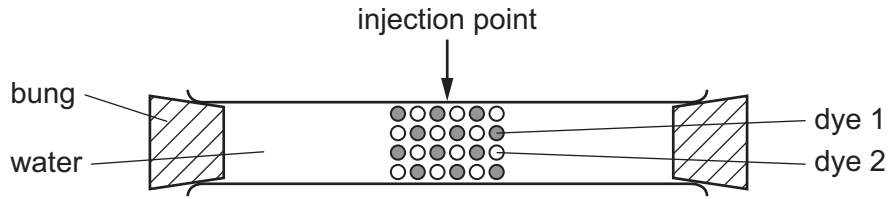
2 The diagram shows a liver cell, as seen using a light microscope.



Which of the labelled structures would also be present in a palisade cell?

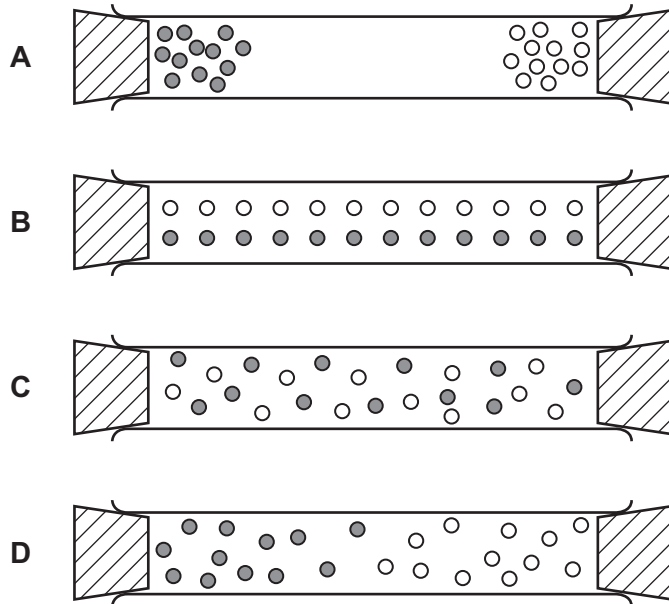
- A** all of them
- B** cell membrane only
- C** cell membrane and cytoplasm only
- D** cytoplasm and nucleus only

- 3 A student carries out an experiment to investigate diffusion. Two dyes are injected into the middle of a sealed tube of water. The diagram shows the particles of dye in the tube just after the dyes are injected.

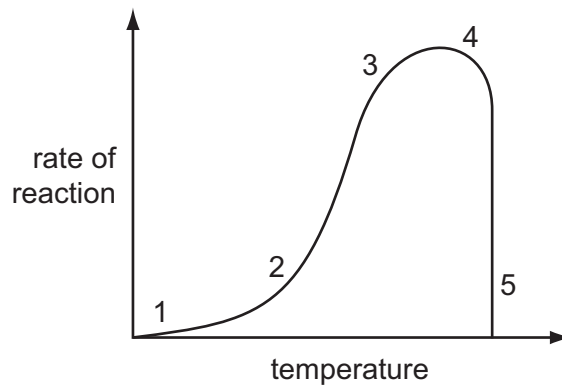


The tube is left for an hour.

Which diagram shows the distribution of the particles of dye after this time?



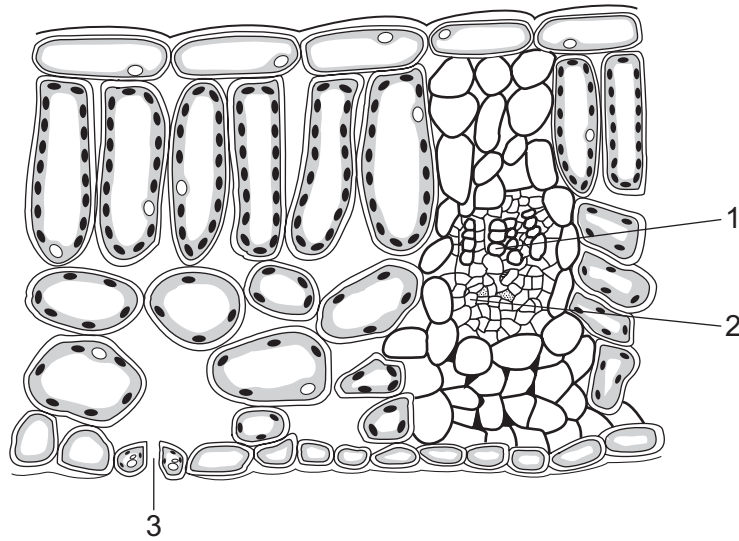
- 4 The graph shows the effect of temperature on the rate of an enzyme-controlled reaction.



Where on the graph has all the enzyme been denatured?

- A 1 B 2 and 3 C 3 and 4 D 5

5 The diagram shows a section through a leaf.

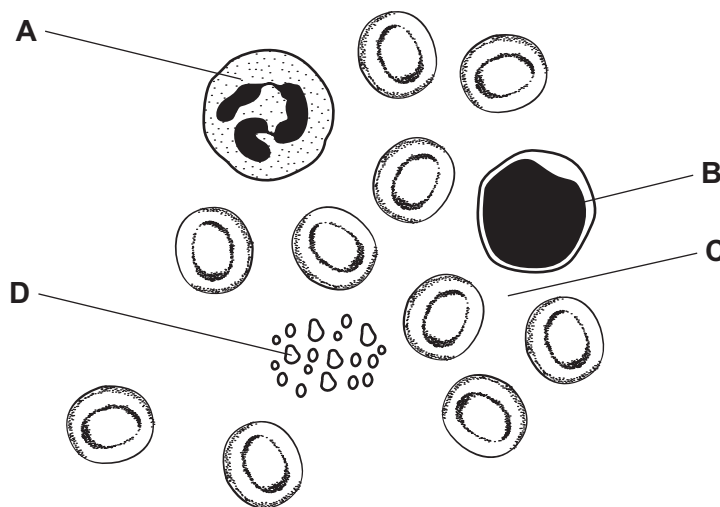


Where does carbon dioxide enter the leaf and where does water leave?

	carbon dioxide enters	water leaves
A	1	2
B	1	3
C	3	1
D	3	3

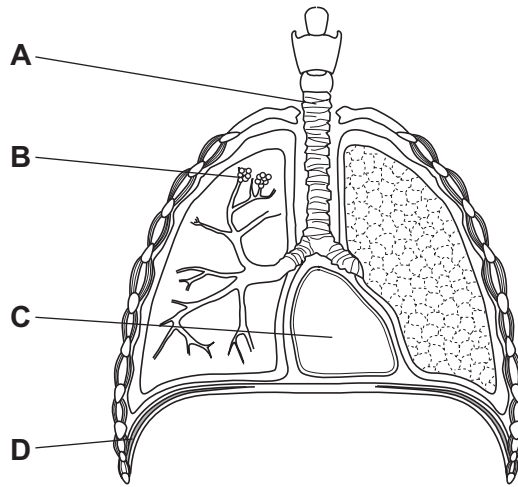
6 The drawing shows some blood, as it appears under the microscope.

Which part carries glucose to muscles?



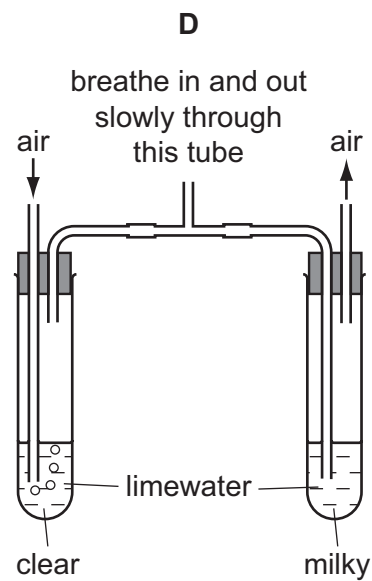
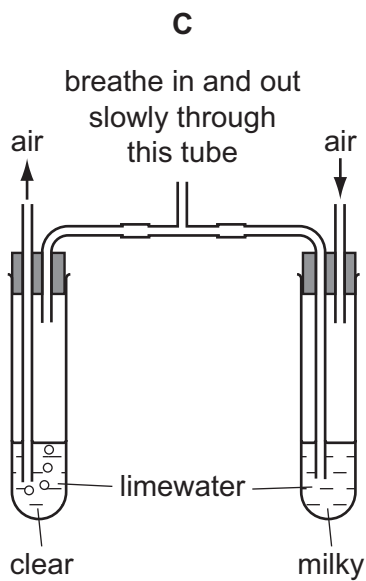
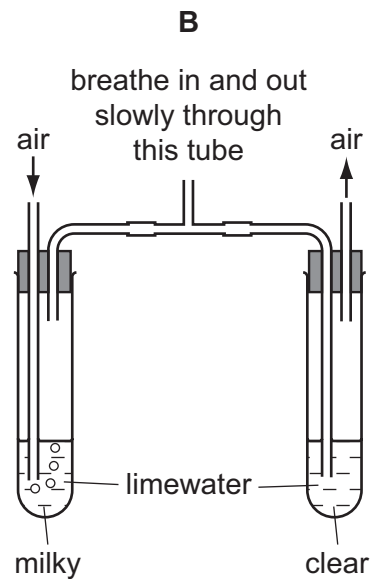
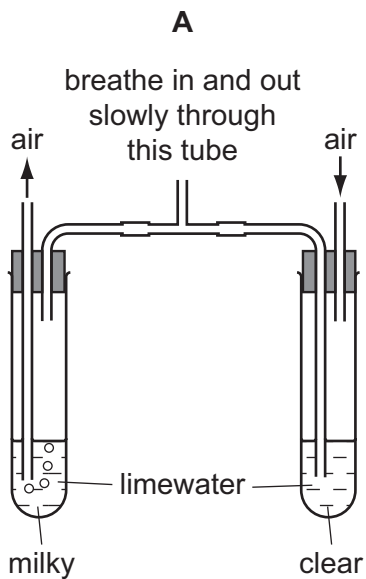
7 The diagram shows some structures in the human thorax (chest).

Into which part does carbon dioxide pass immediately after leaving the blood?



8 Carbon dioxide turns limewater milky (cloudy).

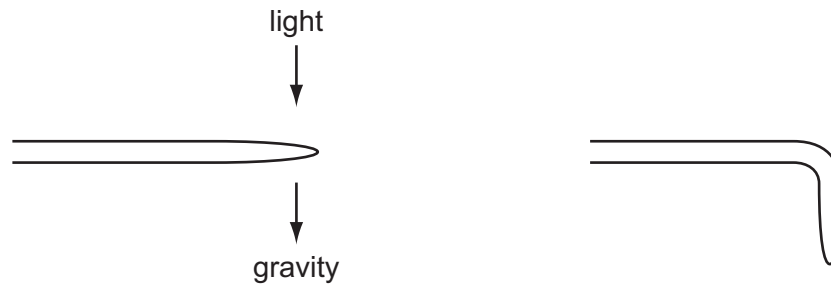
Which diagram shows apparatus being used to demonstrate that expired air contains more carbon dioxide than inspired air?



9 Which are effects of the hormone adrenaline?

	increase in blood glucose concentration	decrease in pulse rate
A	✓	✓
B	✓	x
C	x	✓
D	x	x

10 The diagram shows the root of a plant exposed to light and gravity, and the same root a day later.



Light does **not** influence the growth of roots in this plant.

Which row shows how the root has responded?

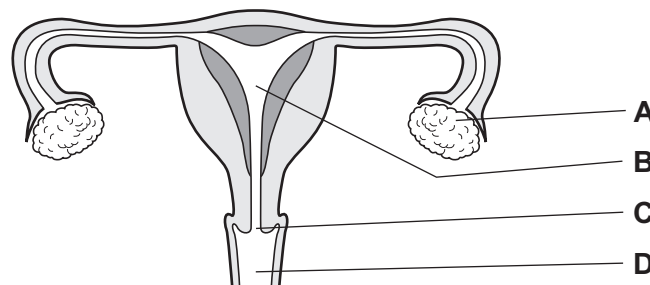
	geotropism	phototropism
A	grows away from the stimulus	no response
B	grows towards the stimulus	no response
C	no response	grows away from the stimulus
D	no response	grows towards the stimulus

11 Which structure in a flower produces pollen?

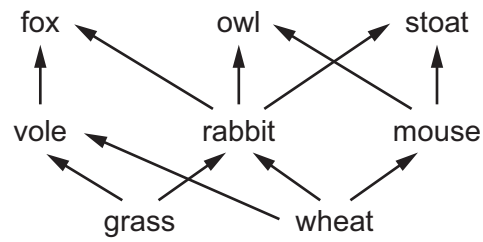
- A sepal
- B stamen
- C stigma
- D style

12 The diagram shows the female reproductive system.

Which labelled structure is the cervix?



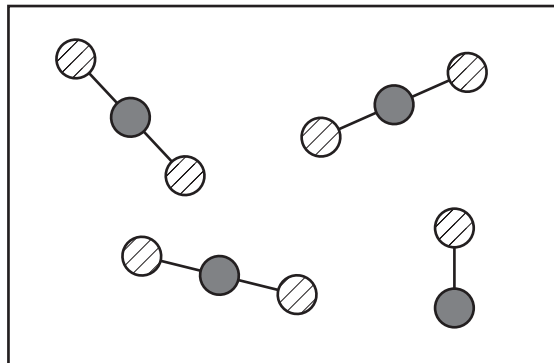
13 The diagram shows a food web.



Which food chain is part of this food web?

- A grass → mouse → owl
- B grass → vole → stoat
- C wheat → mouse → owl
- D wheat → vole → stoat

14 The diagram represents a mixture of carbon dioxide, CO₂, and carbon monoxide, CO.



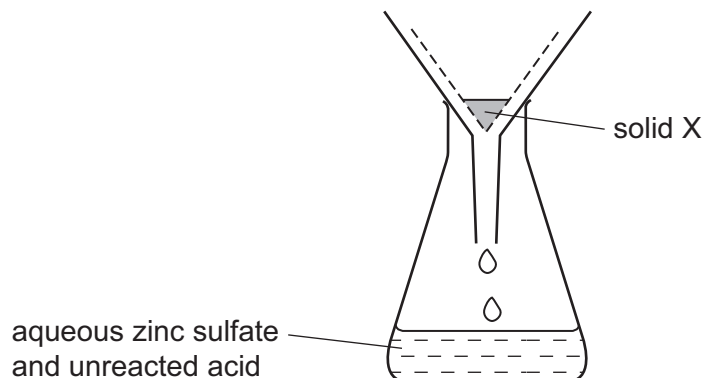
Which statement is correct?

- A The mixture contains 4 elements.
- B The mixture contains 4 molecules.
- C The mixture contains 11 elements.
- D The mixture contains 11 molecules.

- 15 In an experiment, a mixture of 0.5 g of copper and 3 g of zinc is added to an excess of dilute sulfuric acid.

The copper acts as a catalyst.

After all the zinc has dissolved, the resulting mixture is filtered.



What is solid X and what is its mass?

	solid X	mass of pure X
A	copper	less than 0.5 g
B	copper	0.5 g
C	copper(II) oxide	0.5 g
D	copper(II) oxide	greater than 0.5 g

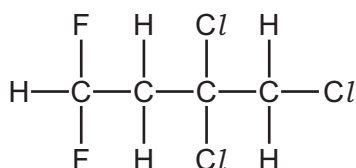
- 16 Element Y has a proton number of 18 and a nucleon number of 40.

Which statements about element Y are correct?

- 1 It has 40 neutrons in its nucleus.
- 2 It has 22 electrons.
- 3 It is unreactive.
- 4 It is in Group 0 of the Periodic Table.

- A** 1 and 2 **B** 2 and 3 **C** 2 and 4 **D** 3 and 4

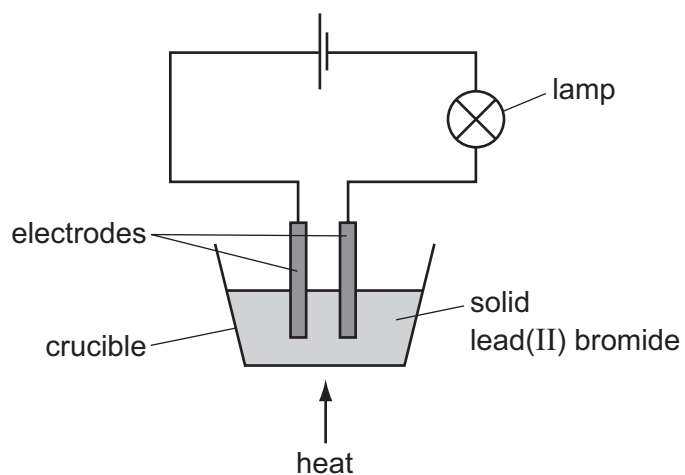
- 17 The structure of a compound is shown.



What is the formula of the compound?

- A** CHClF **B** C₄H₅Cl₂F₂ **C** C₄H₅Cl₃F₂ **D** C₄H₅Cl₃F

18 The apparatus shown is set up.



The crucible needs to be heated for the lamp to give out light.

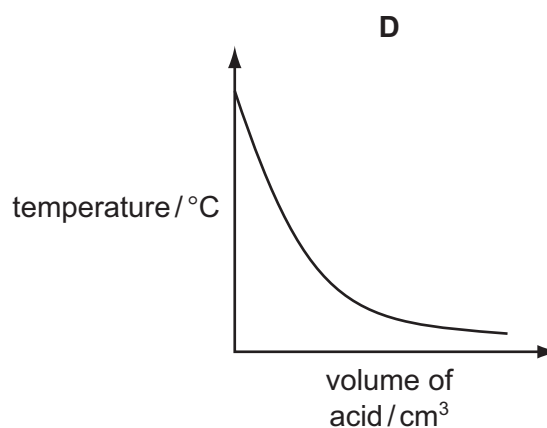
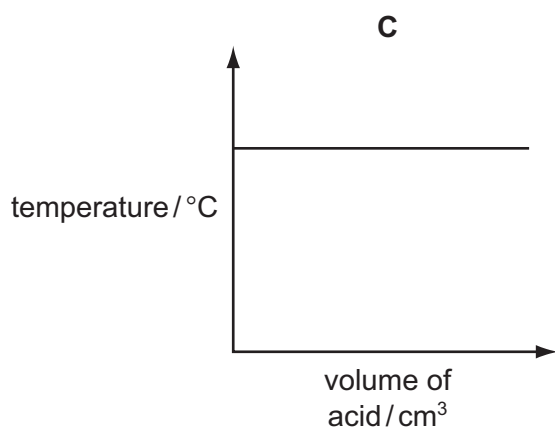
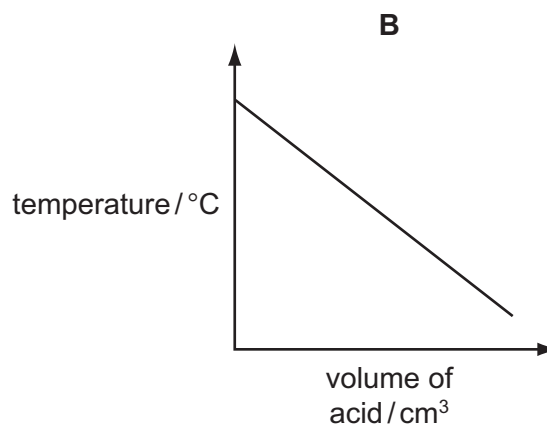
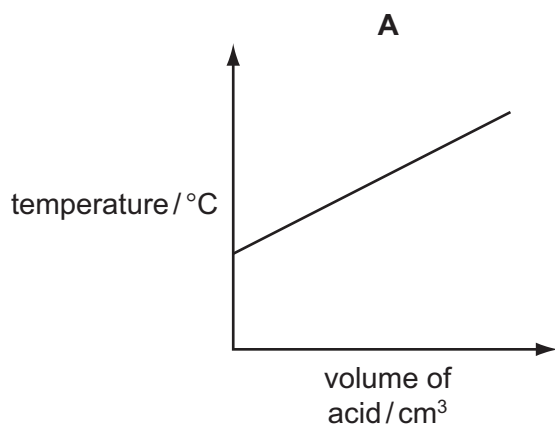
Why is heat needed?

- A An exothermic reaction takes place in the crucible.
- B Electrodes only conduct electricity when hot.
- C Heat causes the lead(II) bromide to react with air.
- D The lead(II) bromide must be molten.

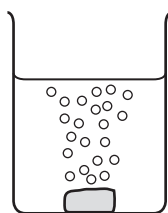
19 Hydrochloric acid is slowly added to sodium hydroxide in an insulated beaker.

The reaction is exothermic.

Which graph shows how the temperature changes during the reaction?



20 When a solid lump of calcium carbonate is added to excess hydrochloric acid, it reacts and bubbles can be seen.



Which change does **not** increase the rate of reaction?

- A** Increase the concentration of the acid.
- B** Increase the surface area of the solid.
- C** Increase the temperature.
- D** Increase the volume of the acid.

21 Copper sulfate crystals are prepared by reacting copper oxide with sulfuric acid.

Which process is **not** used in the preparation of copper sulfate crystals?

- A chromatography
- B crystallisation
- C evaporation
- D filtration

22 A substance reacts with dilute acid, producing a gas.

The gas ignites with a pop when tested with a lighted splint.

What is the substance?

- A copper
- B copper(II) oxide
- C magnesium
- D magnesium carbonate

23 The positions of four elements are shown in the outline of the Periodic Table.

Which element has a high melting point and forms coloured compounds?

The diagram shows an outline of the periodic table with four elements labeled A, B, C, and D. Element C is in the first column (Group 1), and element D is in the second column (Group 2). Element A is in the fifth column (Group 5), and element B is in the tenth column (Group 10). The table is arranged in four rows: the first row has 2 boxes, the second row has 2 boxes, the third row has 18 boxes, and the fourth row has 18 boxes. The labels C, D, A, and B are placed in the first, second, fifth, and tenth columns of the third row, respectively.

24 Element X has a high density and is used as a catalyst.

What is X?

- A carbon
- B sodium
- C sulfur
- D vanadium

25 A metal is added to water. It floats and reacts vigorously.

What is the pH of the resulting solution?

- A 1 B 5 C 7 D 14

26 What is a chemical test for water?

- A Blue cobalt chloride paper turns pink.
B Measure its boiling point which is 100 °C.
C Measure its melting point which is 0 °C.
D Pink cobalt chloride paper turns blue.

27 Gas oil is a fraction formed when petroleum is fractionally distilled.

What is a use of gas oil?

- A bottled gas
B cooking
C diesel engine fuel
D heating

28 A tunnel is 50 km long. A train takes 20 min to travel between the two ends of the tunnel.

What is the average speed of the train in the tunnel?

- A 2.5 km/hour
B 16.6 km/hour
C 150 km/hour
D 1000 km/hour

29 Which of the following has the same unit as weight?

- A density
B energy
C force
D mass

30 Which items of apparatus are used to determine the density of a liquid?

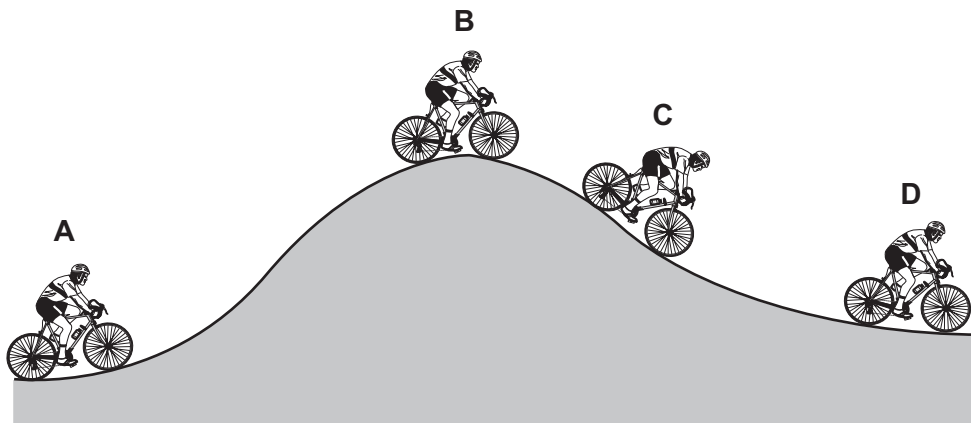
- A balance and measuring cylinder
- B balance and thermometer
- C metre rule and measuring cylinder
- D metre rule and thermometer

31 What is the unit for work and what is the unit for power?

	work	power
A	J	N
B	J	W
C	N	W
D	W	J

32 The diagram shows a cyclist riding along a hilly road.

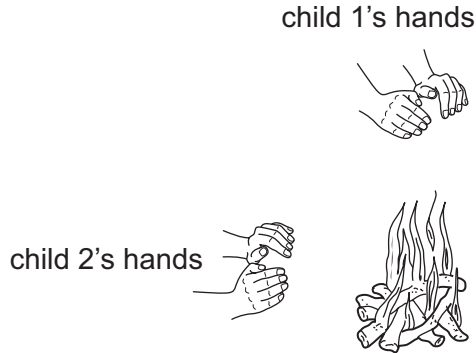
At which position does the cyclist have the least gravitational (potential) energy?



33 Which statement describes the molecules in a gas?

- A They are close together and move about quickly.
- B They are close together and move about slowly.
- C They are far apart and move about quickly.
- D They are far apart and move about slowly.

34 On a cold night, two children sit next to a camp fire to warm their hands. Their hands are the same distance from the fire. Child 1 holds his hands over the fire and child 2 holds her hands in front of the fire.



How does the heat from the fire reach each child's hands?

	child 1	child 2
A	convection only	radiation only
B	convection and radiation	radiation only
C	radiation only	convection and radiation
D	radiation only	convection only

35 A girl writes the word **LEFT** on a piece of card.



She looks at the image of this card, made by reflection by a plane mirror.

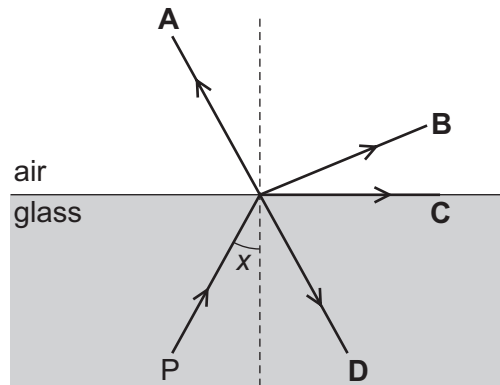
What does she see?

A B C D

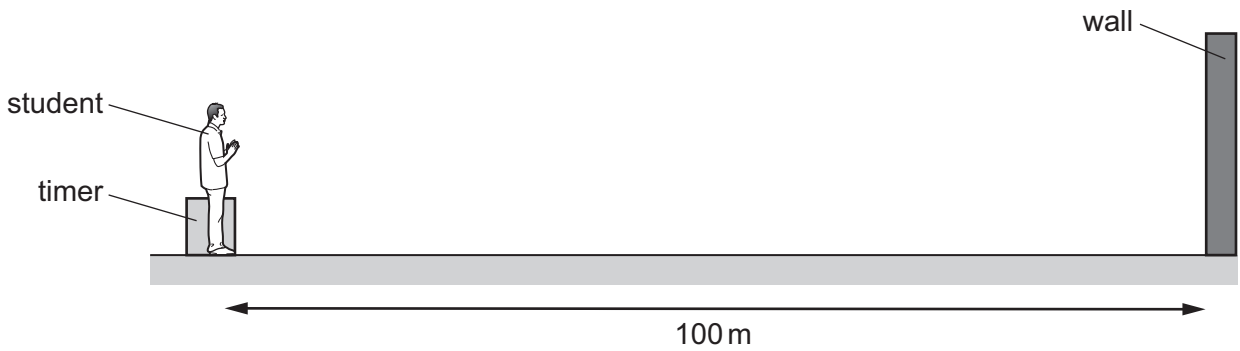
LEEF	TƆ3J	LƆ37	TFEL
-------------	-------------	-------------	-------------

- 36 The diagram shows a ray of light travelling in glass from point P. Angle x is greater than the critical angle.

In which labelled direction does the ray continue?



- 37 A student measures the speed of sound. He claps his hands and the sound reflects from a wall which is 100 m away from him.

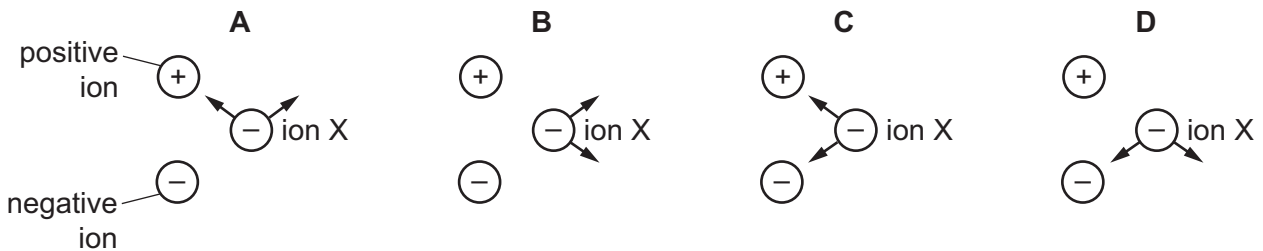


An electronic timer detects the echo of the sound 0.60 s after it is made.

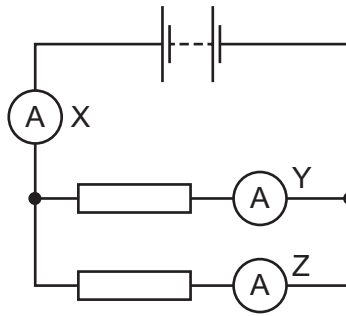
Which calculation should the student use to determine the speed of sound?

- A $\frac{100}{0.60}$ m/s B $\frac{100}{1.2}$ m/s C $\frac{200}{0.30}$ m/s D $\frac{200}{0.60}$ m/s
- 38 A negative ion X is close to a positive ion and another negative ion. Electrical forces act on ion X because of the charges in the other two ions.

Which diagram shows the directions of the two forces acting on ion X?



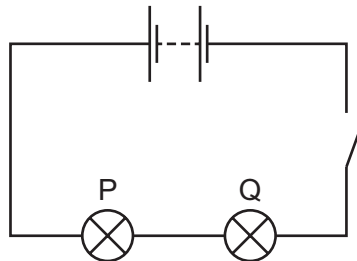
39 The diagram shows a circuit with three ammeters X, Y and Z.



Which set of readings on the ammeters is possible?

	X	Y	Z
A	2A	3A	5A
B	3A	2A	5A
C	3A	3A	3A
D	5A	2A	3A

40 Two identical lamps P and Q are connected in a circuit as shown in the diagram.



The circuit is now switched on.

Which statement is correct?

- A** Each lamp can be switched off independently.
- B** If lamp Q breaks, lamp P stays alight.
- C** Lamp P is brighter than lamp Q.
- D** The current is the same in both lamps.

DATA SHEET
The Periodic Table of the Elements

		Group													
I	II	III	IV	V	VI	VII	0								
		1 H Hydrogen 1							4 He Helium 2						
7 Li Lithium 3	9 Be Beryllium 4							20 Ne Neon 10							
23 Na Sodium 11	24 Mg Magnesium 12	27 Al Aluminium 13	28 Si Silicon 14	31 P Phosphorus 15	32 S Sulfur 16	35.5 Cl Chlorine 17	40 Ar Argon 18								
39 K Potassium 19	40 Ca Calcium 20	70 Ga Gallium 31	73 Ge Germanium 32	75 As Arsenic 33	79 Se Selenium 34	80 Br Bromine 35	84 Kr Krypton 36								
85 Rb Rubidium 37	88 Sr Strontium 38	101 Ru Ruthenium 44	106 Pd Palladium 46	112 Cd Cadmium 48	122 Sb Antimony 51	127 I Iodine 53	131 Xe Xenon 54								
133 Cs Caesium 55	137 Ba Barium 56	190 Os Osmium 76	195 Pt Platinum 78	201 Hg Mercury 80	209 Pb Lead 82	210 At Astatine 85	222 Rn Radon 86								
223 Fr Francium 87	226 Ra Radium 88	204 Tl Thallium 81	207 Pb Lead 82	209 Bi Bismuth 83	209 Po Polonium 84	210 At Astatine 85	222 Rn Radon 86								
		56 Fe Iron 26	59 Ni Nickel 28	64 Cu Copper 29	65 Zn Zinc 30	79 Ag Silver 47	80 Hg Mercury 80								
		55 Mn Manganese 25	59 Co Cobalt 27	59 Ni Nickel 28	64 Cu Copper 29	108 Ag Silver 47	197 Au Gold 79								
		52 Cr Chromium 24	59 Co Cobalt 27	59 Ni Nickel 28	64 Cu Copper 29	106 Pd Palladium 46	195 Pt Platinum 78								
		51 V Vanadium 23	56 Fe Iron 26	59 Co Cobalt 27	64 Cu Copper 29	103 Rh Rhodium 45	192 Ir Iridium 77								
		48 Ti Titanium 22	55 Mn Manganese 25	56 Fe Iron 26	64 Cu Copper 29	101 Ru Ruthenium 44	190 Os Osmium 76								
		45 Sc Scandium 21	52 Cr Chromium 24	55 Mn Manganese 25	64 Cu Copper 29	103 Rh Rhodium 45	195 Pt Platinum 78								
		40 Ca Calcium 20	51 V Vanadium 23	55 Mn Manganese 25	64 Cu Copper 29	106 Pd Palladium 46	197 Au Gold 79								
		39 K Potassium 19	48 Ti Titanium 22	52 Cr Chromium 24	64 Cu Copper 29	108 Ag Silver 47	197 Au Gold 79								
		85 Rb Rubidium 37	91 Zr Zirconium 40	96 Mo Molybdenum 42	106 Pd Palladium 46	112 Cd Cadmium 48	201 Hg Mercury 80								
		133 Cs Caesium 55	93 Nb Niobium 41	96 Mo Molybdenum 42	106 Pd Palladium 46	112 Cd Cadmium 48	201 Hg Mercury 80								
		223 Fr Francium 87	101 Ru Ruthenium 44	106 Pd Palladium 46	112 Cd Cadmium 48	190 Os Osmium 76	201 Hg Mercury 80								
		226 Ra Radium 88	93 Nb Niobium 41	96 Mo Molybdenum 42	106 Pd Palladium 46	112 Cd Cadmium 48	201 Hg Mercury 80								
		227 Ac Actinium 89	101 Ru Ruthenium 44	106 Pd Palladium 46	112 Cd Cadmium 48	190 Os Osmium 76	201 Hg Mercury 80								
		227 Ac Actinium 89	101 Ru Ruthenium 44	106 Pd Palladium 46	112 Cd Cadmium 48	190 Os Osmium 76	201 Hg Mercury 80								
		227 Ac Actinium 89	101 Ru Ruthenium 44	106 Pd Palladium 46	112 Cd Cadmium 48	190 Os Osmium 76	201 Hg Mercury 80								
		227 Ac Actinium 89	101 Ru Ruthenium 44	106 Pd Palladium 46	112 Cd Cadmium 48	190 Os Osmium 76	201 Hg Mercury 80								
		227 Ac Actinium 89	101 Ru Ruthenium 44	106 Pd Palladium 46	112 Cd Cadmium 48	190 Os Osmium 76	201 Hg Mercury 80								
		227 Ac Actinium 89	101 Ru Ruthenium 44	106 Pd Palladium 46	112 Cd Cadmium 48	190 Os Osmium 76	201 Hg Mercury 80								
		227 Ac Actinium 89	101 Ru Ruthenium 44	106 Pd Palladium 46	112 Cd Cadmium 48	190 Os Osmium 76	201 Hg Mercury 80								
		227 Ac Actinium 89	101 Ru Ruthenium 44	106 Pd Palladium 46	112 Cd Cadmium 48	190 Os Osmium 76	201 Hg Mercury 80								
		227 Ac Actinium 89	101 Ru Ruthenium 44	106 Pd Palladium 46	112 Cd Cadmium 48	190 Os Osmium 76	201 Hg Mercury 80								
		227 Ac Actinium 89	101 Ru Ruthenium 44	106 Pd Palladium 46	112 Cd Cadmium 48	190 Os Osmium 76	201 Hg Mercury 80								
		227 Ac Actinium 89	101 Ru Ruthenium 44	106 Pd Palladium 46	112 Cd Cadmium 48	190 Os Osmium 76	201 Hg Mercury 80								
		227 Ac Actinium 89	101 Ru Ruthenium 44	106 Pd Palladium 46	112 Cd Cadmium 48	190 Os Osmium 76	201 Hg Mercury 80								
		227 Ac Actinium 89	101 Ru Ruthenium 44	106 Pd Palladium 46	112 Cd Cadmium 48	190 Os Osmium 76	201 Hg Mercury 80								
		227 Ac Actinium 89	101 Ru Ruthenium 44	106 Pd Palladium 46	112 Cd Cadmium 48	190 Os Osmium 76	201 Hg Mercury 80								
		227 Ac Actinium 89	101 Ru Ruthenium 44	106 Pd Palladium 46	112 Cd Cadmium 48	190 Os Osmium 76	201 Hg Mercury 80								
		227 Ac Actinium 89	101 Ru Ruthenium 44	106 Pd Palladium 46	112 Cd Cadmium 48	190 Os Osmium 76	201 Hg Mercury 80								
		227 Ac Actinium 89	101 Ru Ruthenium 44	106 Pd Palladium 46	112 Cd Cadmium 48	190 Os Osmium 76	201 Hg Mercury 80								
		227 Ac Actinium 89	101 Ru Ruthenium 44	106 Pd Palladium 46	112 Cd Cadmium 48	190 Os Osmium 76	201 Hg Mercury 80								
		227 Ac Actinium 89	101 Ru Ruthenium 44	106 Pd Palladium 46	112 Cd Cadmium 48	190 Os Osmium 76	201 Hg Mercury 80								
		227 Ac Actinium 89	101 Ru Ruthenium 44	106 Pd Palladium 46	112 Cd Cadmium 48	190 Os Osmium 76	201 Hg Mercury 80								
		227 Ac Actinium 89	101 Ru Ruthenium 44	106 Pd Palladium 46	112 Cd Cadmium 48	190 Os Osmium 76	201 Hg Mercury 80								
		227 Ac Actinium 89	101 Ru Ruthenium 44	106 Pd Palladium 46	112 Cd Cadmium 48	190 Os Osmium 76	201 Hg Mercury 80								
		227 Ac Actinium 89	101 Ru Ruthenium 44	106 Pd Palladium 46	112 Cd Cadmium 48	190 Os Osmium 76	201 Hg Mercury 80								
		227 Ac Actinium 89	101 Ru Ruthenium 44	106 Pd Palladium 46	112 Cd Cadmium 48	190 Os Osmium 76	201 Hg Mercury 80								
		227 Ac Actinium 89	101 Ru Ruthenium 44	106 Pd Palladium 46	112 Cd Cadmium 48	190 Os Osmium 76	201 Hg Mercury 80								
		227 Ac Actinium 89	101 Ru Ruthenium 44	106 Pd Palladium 46	112 Cd Cadmium 48	190 Os Osmium 76	201 Hg Mercury 80								
		227 Ac Actinium 89	101 Ru Ruthenium 44	106 Pd Palladium 46	112 Cd Cadmium 48	190 Os Osmium 76	201 Hg Mercury 80								
		227 Ac Actinium 89	101 Ru Ruthenium 44	106 Pd Palladium 46	112 Cd Cadmium 48	190 Os Osmium 76	201 Hg Mercury 80								
		227 Ac Actinium 89	101 Ru Ruthenium 44	106 Pd Palladium 46	112 Cd Cadmium 48	190 Os Osmium 76	201 Hg Mercury 80								
		227 Ac Actinium 89	101 Ru Ruthenium 44	106 Pd Palladium 46	112 Cd Cadmium 48	190 Os Osmium 76	201 Hg Mercury 80								
		227 Ac Actinium 89	101 Ru Ruthenium 44	106 Pd Palladium 46	112 Cd Cadmium 48	190 Os Osmium 76	201 Hg Mercury 80								
		227 Ac Actinium 89	101 Ru Ruthenium 44	106 Pd Palladium 46	112 Cd Cadmium 48	190 Os Osmium 76	201 Hg Mercury 80								
		227 Ac Actinium 89	101 Ru Ruthenium 44	106 Pd Palladium 46	112 Cd Cadmium 48	190 Os Osmium 76	201 Hg Mercury 80								
		227 Ac Actinium 89	101 Ru Ruthenium 44	106 Pd Palladium 46	112 Cd Cadmium 48	190 Os Osmium 76	201 Hg Mercury 80								
		227 Ac Actinium 89	101 Ru Ruthenium 44	106 Pd Palladium 46	112 Cd Cadmium 48	190 Os Osmium 76	201 Hg Mercury 80								
		227 Ac Actinium 89	101 Ru Ruthenium 44	106 Pd Palladium 46	112 Cd Cadmium 48	190 Os Osmium 76	201 Hg Mercury 80								
		227 Ac Actinium 89	101 Ru Ruthenium 44	106 Pd Palladium 46	112 Cd Cadmium 48	190 Os Osmium 76	201 Hg Mercury 80								
		227 Ac Actinium 89	101 Ru Ruthenium 44	106 Pd Palladium 46	112 Cd Cadmium 48										